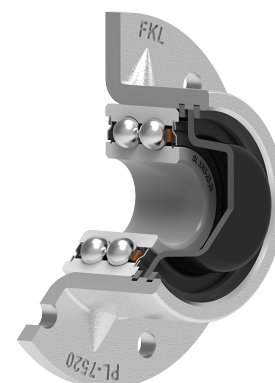
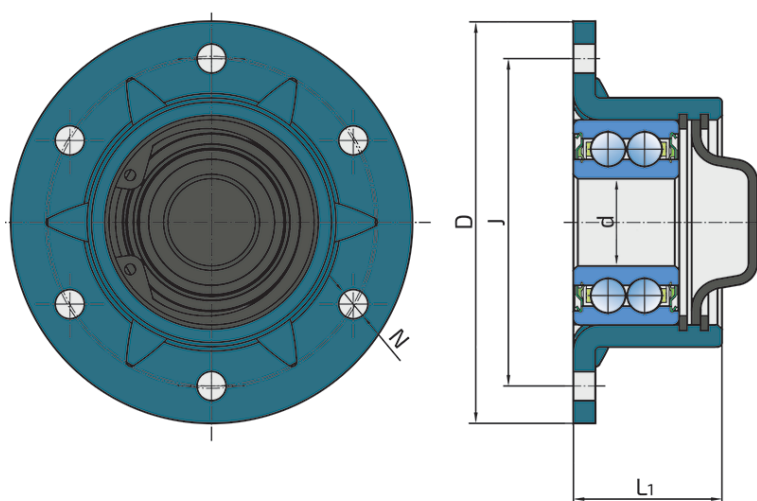


Bearing Unit (Double row angular contact ball bearing in pressed steel housing)

PL-7520-SM

Bearing Unit (Double row angular contact ball bearing in pressed steel housing)
Seeding Machine



Technical Specification

d	Bore diameter	20 mm
D	Outside diameter	92 mm
J	Pitch circle diameter	75 mm
L1	Total flange length	34 mm
N	Hole diameter	6.7H12 mm
kg	Mass	0.52 kg
Cdyn	Dynamic load rating	19.6 kN
Co	Static load rating	12.5 kN
Pu	Fatigue load limit	0.525 kN

Sealing

S SEAL / S SEAL+PLASTIC CAP

S seal on the base side and S seal with Plastic cap on the front side which is exposed to the environment.

Plastic cap protects the nut and reduces the penetration of contaminants.

