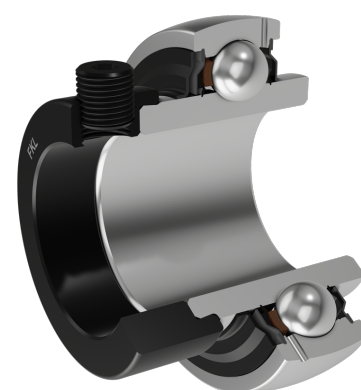
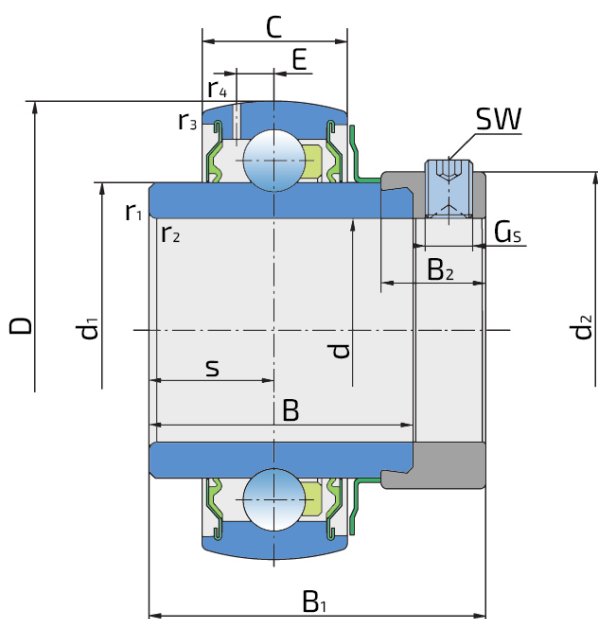


# Y-Ball Bearings With Eccentric Locking Collar

## UY 211 SF

Y-Ball Bearings With Eccentric Locking Collar



### Technical Specification

d	Bore diameter	55 mm
D	Outside diameter	100 mm
B	Width inner ring	37 mm
C	Width outer ring	25 mm
s	Distance from inner ring side face to raceway centre	12.5 mm
d1	Outer diameter inner ring	69.1 mm
E	Distance from raceway centre to the hole for lubrication	7 mm
Gs	Set screw	M10x1 mm
sw	Hexagonal key size for set screw	5 mm
r1,2	Inner ring Chamfer dimension	1 mm
r3,4	Outside ring Chamfer dimension	0.6 mm
B1	Width inner ring with locking collar	53 mm
d2	Locking collar outside diameter	74.5 mm
B2	Width locking collar	20.6 mm
kg	Mass	1.25 kg
Cdyn	Dynamic load rating	43.6 kN
Co	Static load rating	29 kN
Pu	Fatigue load limit	1.25 kN

## Sealing

---

### S SEAL / F SEAL (SF)

S seal on the base side and F seal on the front side which is exposed to contaminants. The F seal on the front side protects the bearing from contaminant penetration.

&nbsp;

