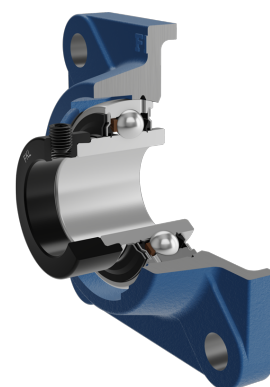
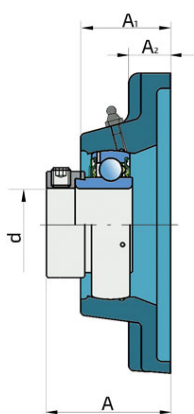
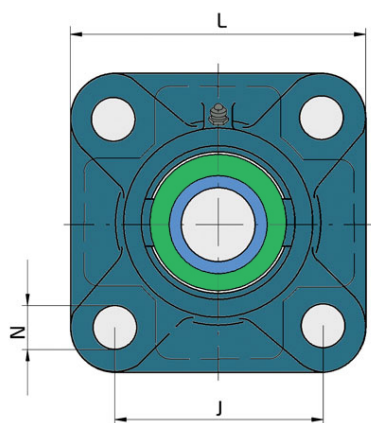


# Y-Bearing Flanged Units With Square Grey Cast Iron Housing "F"

## UYF 211 SF

Y-Bearing Flanged Units With Square Grey Cast Iron Housing "F"



### Technical Specification

d	Bore diameter	55 mm
L	Overall length	162 mm
A	Distance from the housing flange to the front of the inner ring of the bearing	65.3 mm
A1	Total housing width	43 mm
A2	Housing flange thickness	17 mm
J	Distance between the holes	130 mm
N	Diameter of attachment slot	19 mm
kg	Mass	3.2 kg
Cdyn	Dynamic load rating	43.6 kN
Co	Static load rating	29 kN
Pu	Fatigue load limit	1.25 kN

## Sealing

---

### S SEAL / F SEAL (SF)

S seal on the base side and F seal on the front side which is exposed to contaminants. The F seal on the front side protects the bearing from contaminant penetration.

&nbsp;

