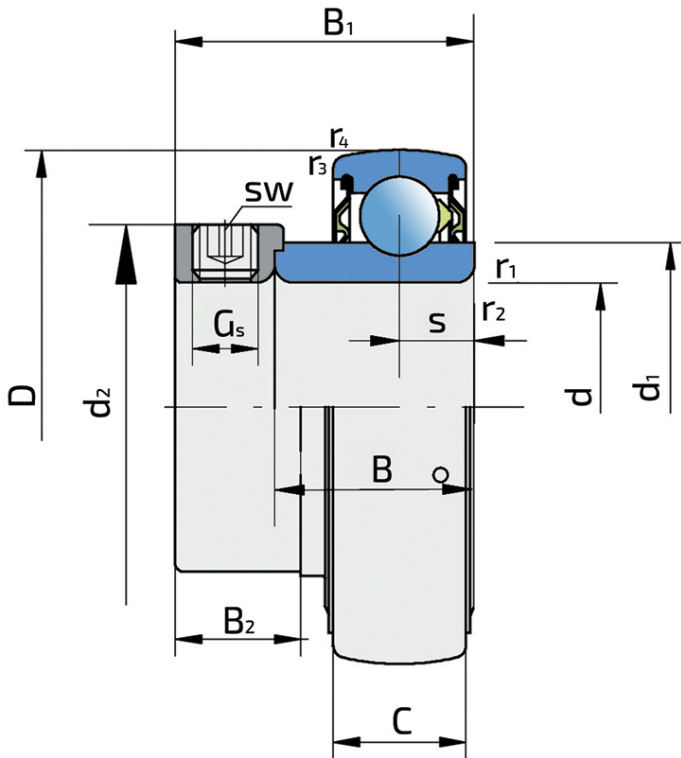


# Y-Ball Bearings With Eccentric Locking Collar

## UY 207-107 2S.H

Y-Ball Bearings With Eccentric Locking Collar



### Technical Specification

|      |  |                 |
|------|--|-----------------|
| d    | Bore diameter  | 36.513 mm       |
| D    | Outside diameter                                     | 72 mm           |
| B    | Width inner ring                                     | 25.4 mm         |
| C    | Width outer ring                                     | 19 mm           |
| s    | Distance from inner ring side face to raceway centre | 9.5 mm          |
| d1   | Outer diameter inner ring                            | 46.1 mm         |
| Gs   | Set screw  | 3/8-24 UNF inch |
| sw   | Hexagonal key size for set screw                     | 4.763 mm        |
| sw   | Hexagonal key size for set screw                     | 3/16 inch       |
| r1,2 | Inner ring Chamfer dimension                         | 1 mm            |
| r3,4 | Outside ring Chamfer dimension                       | 1 mm            |
| B1   | Width inner ring with locking collar                 | 38.9 mm         |
| d2   | Locking collar outside diameter                      | 51.2 mm         |
| B2   | Width locking collar                                 | 17.5 mm         |
| kg   | Mass   | 0.425 kg        |
| Cdyn | Dynamic load rating                                  | 25.5 kN         |
| Co   | Static load rating                                   | 15.3 kN         |
| Pu   | Fatigue load limit                                   | 0.66 kN         |

## Sealing

---

### S SEAL / S SEAL (2S)

Single lip seal with the labyrinth between the sheet part and the rubber lip which conducts the contact sealing. The friction and speeds are the same as with RS but provides much better protection against the rough impurity particles. This is very good sealing system: the sheet part protects the seal from the soil, dust and rough particles. At the same time makes the labyrinth with the rubber part. The rubber part provides contact sealing which prevents penetration of finer impurities, water, moisture, steam etc. Suitable for neutral conditions because of the presence of the foreign materials. It is used with the Y bearing (standard) and deep groove ball bearings.

