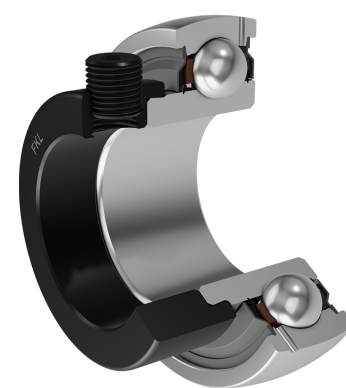
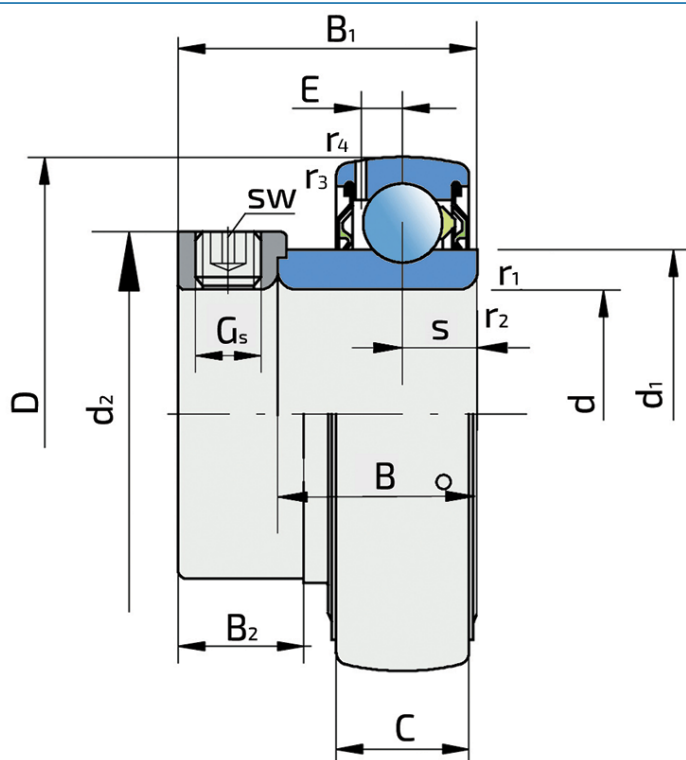


# Y-Ball Bearings With Eccentric Locking Collar

## UY 211-200 2S

Y-Ball Bearings With Eccentric Locking Collar



### Technical Specification

d	Bore diameter	50.8 mm
D	Outside diameter	100 mm
B	Width inner ring	32.6 mm
C	Width outer ring	25 mm
s	Distance from inner ring side face to raceway centre	12.5 mm
d1	Outer diameter inner ring	69.1 mm
E	Distance from raceway centre to the hole for lubrication	7 mm
Gs	Set screw	3/8-24 UNF inch
sw	Hexagonal key size for set screw	4.763 mm
sw	Hexagonal key size for set screw	3/16 inch
r1,2	Inner ring Chamfer dimension	1 mm
r3,4	Outside ring Chamfer dimension	2 mm
B1	Width inner ring with locking collar	48.4 mm
d2	Locking collar outside diameter	74.5 mm
B2	Width locking collar	20.6 mm
kg	Mass	1.13 kg
Cdyn	Dynamic load rating	43.6 kN
Co	Static load rating	29 kN
Pu	Fatigue load limit	1.25 kN

## Sealing

---

### S SEAL / S SEAL (2S)

Single lip seal with the labyrinth between the sheet part and the rubber lip which conducts the contact sealing. The friction and speeds are the same as with RS but provides much better protection against the rough impurity particles. This is very good sealing system: the sheet part protects the seal from the soil, dust and rough particles. At the same time makes the labyrinth with the rubber part. The rubber part provides contact sealing which prevents penetration of finer impurities, water, moisture, steam etc. Suitable for neutral conditions because of the presence of the foreign materials. It is used with the Y bearing (standard) and deep groove ball bearings.

