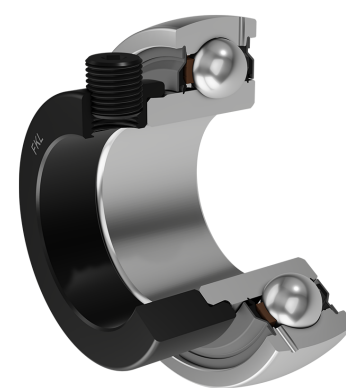
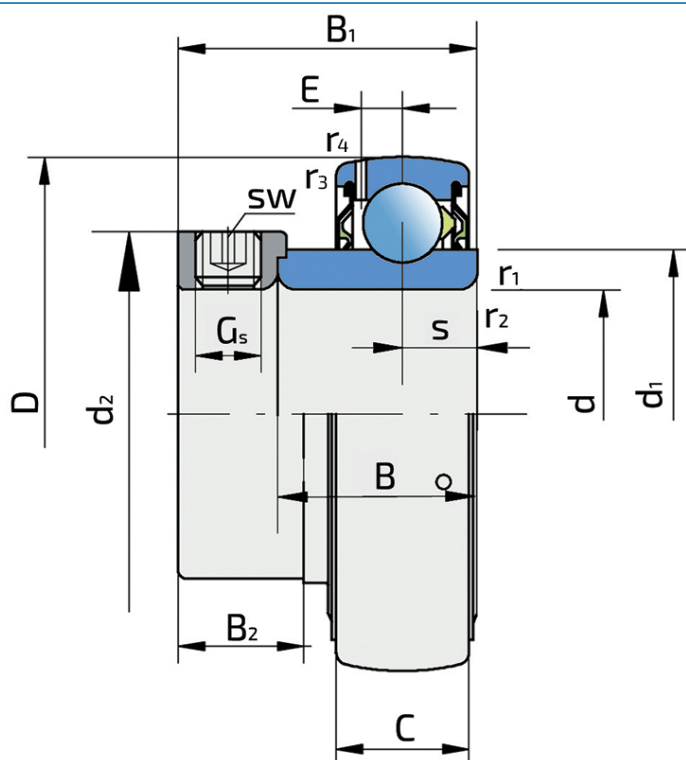


Y-Ball Bearings With Eccentric Locking Collar

UY 203-008 2S

Y-Ball Bearings With Eccentric Locking Collar



Technical Specification

d	Bore diameter	12.7 mm
D	Outside diameter	40 mm
B	Width inner ring	19.1 mm
C	Width outer ring	12 mm
s	Distance from inner ring side face to raceway centre	6.2 mm
d1	Outer diameter inner ring	24.2 mm
E	Distance from raceway centre to the hole for lubrication	3.6 mm
Gs	Set screw	1/4-28 UNF inch
sw	Hexagonal key size for set screw	3.175 mm
sw	Hexagonal key size for set screw	1/8 inch
r1,2	Inner ring Chamfer dimension	0.3 mm
r3,4	Outside ring Chamfer dimension	0.6 mm
B1	Width inner ring with locking collar	28.6 mm
d2	Locking collar outside diameter	28.6 mm
B2	Width locking collar	13.5 mm
Cdyn	Dynamic load rating	9.56 kN
Co	Static load rating	4.75 kN
Pu	Fatigue load limit	0.2 kN
kg	Mass	0.125 kg

Sealing

S SEAL / S SEAL (2S)

Single lip seal with the labyrinth between the sheet part and the rubber lip which conducts the contact sealing. The friction and speeds are the same as with RS but provides much better protection against the rough impurity particles. This is very good sealing system: the sheet part protects the seal from the soil, dust and rough particles. At the same time makes the labyrinth with the rubber part. The rubber part provides contact sealing which prevents penetration of finer impurities, water, moisture, steam etc. Suitable for neutral conditions because of the presence of the foreign materials. It is used with the Y bearing (standard) and deep groove ball bearings.

