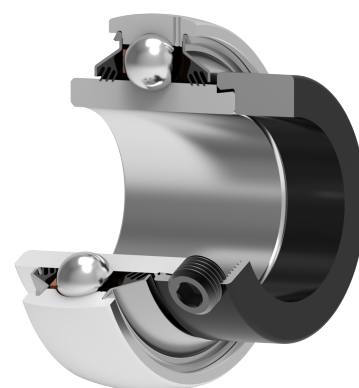
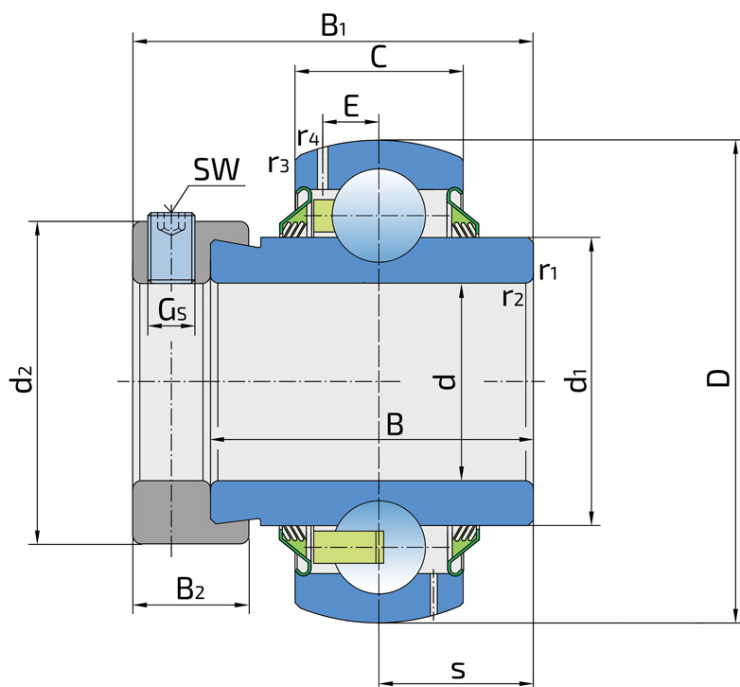


Y-Ball Bearings With Eccentric Locking Collar

LY 207-104 2T

Y-Ball Bearings With Eccentric Locking Collar



Technical Specification

d	Bore diameter	31.75 mm
D	Outside diameter	72 mm
B	Width inner ring	37.6 mm
C	Width outer ring	19 mm
s	Distance from inner ring side face to raceway centre	18.8 mm
d1	Outer diameter inner ring	46.1 mm
E	Distance from raceway centre to the hole for lubrication	5.6 mm
Gs	Set screw	3/8-24 UNF inch
sw	Hexagonal key size for set screw	4.763 mm
sw	Hexagonal key size for set screw	3/16 inch
r1,2	Inner ring Chamfer dimension	1 mm
r3,4	Outside ring Chamfer dimension	1 mm
B1	Width inner ring with locking collar	51.1 mm
d2	Locking collar outside diameter	51.2 mm
B2	Width locking collar	17.5 mm
kg	Mass	0.57 kg
Cdyn	Dynamic load rating	25.5 kN
Co	Static load rating	15.3 kN
Pu	Fatigue load limit	0.66 kN

Sealing

T SEAL / T SEAL (2T)

3-lip seal on the both side of the bearing, provides equal protection against contamination. Recommended for application where the possibility of contamination is the same on the both side.

