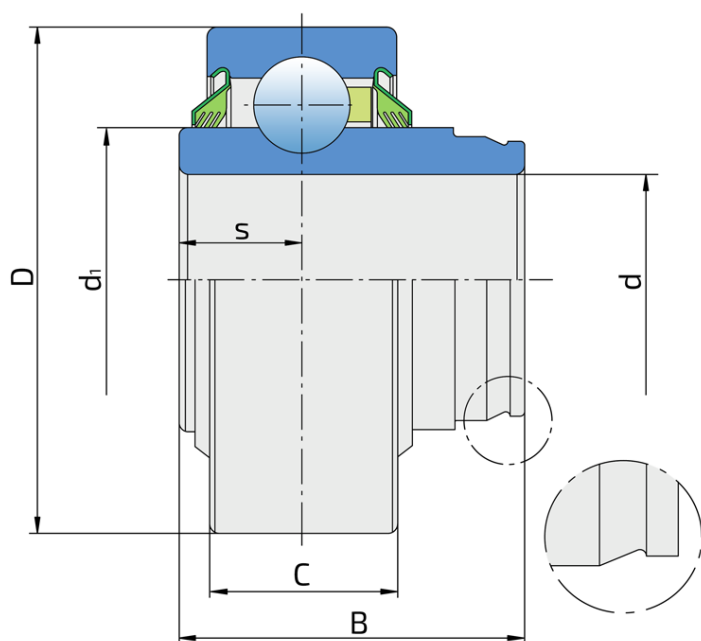


# Ball Bearing

## 203KPP.NZ

Ball Bearing  
Seeding Machine



### Technical Specification

d	Bore diameter	16.26 mm
d1	Outer diameter inner ring	24.2 mm
D	Outside diameter	40 mm
B	Width inner ring	25.4 mm
C	Width outer ring	12 mm
kg	Mass	0.092 kg
C <sub>dyn</sub>	Dynamic load rating	9.5 kN
C <sub>o</sub>	Static load rating	4.75 kN
P <sub>u</sub>	Fatigue load limit	0.2 kN

## Sealing

---

### T SEAL / T SEAL (2T)

3-lip seal on the both side of the bearing, provides equal protection against contamination. Recommended for application where the possibility of contamination is the same on the both side.

