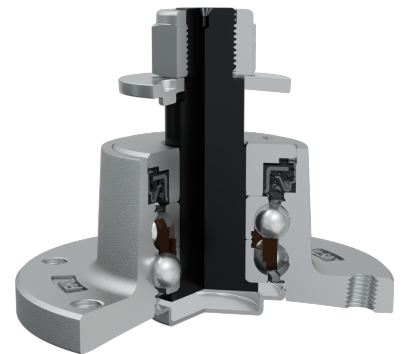
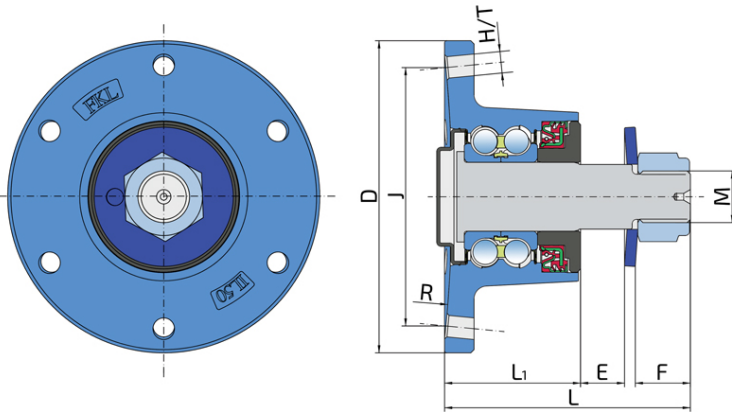


Integrated Flange, Maintenance-Free Bearing For Independent Discs

IL50-120/6T-M24x2-04-R633-114

Integrated Flange, Maintenance-Free Bearing For Independent Discs
Disc Harrow



Technical Specification

J	Pitch circle diameter	120 mm
D	Outside diameter	145 mm
H/T	Hole/Thread	6xM12x1.75 mm
d	Bore diameter	30 mm
C	D-shape hole cut out dimension	27.8 mm
M	Outer Thread	M24x2 mm
L	Total length	114.2 mm
L1	Total flange length	63.2 mm
E	Length of D shape	20 mm
F	Length of threaded part	27 mm
R	The radius of the built-in disk	633 mm
kg	Mass	3.53 kg
Cdyn	Dynamic load rating	60 kN
Co	Static load rating	45.8 kN
Pu	Fatigue load limit	1.924 kN

Sealing

SHEET METAL SHIELD + RS SEAL / RS SEAL + DIRTBLOCK SEAL + FORGED COVER PLATE

Sheet metal shield and RS seal on the base side and RS seal, Dirtblock seal and Forged cover plate on the front side which is exposed to contaminants. Sheet metal shield and RS seal together with attached special disc eliminates the possibility of contamination from the base side. Dirtblock seal is designed for hard working conditions at unfriendly environment. Half metal – half rubber outside diameter provides reliable seal retention in the bore and improves sealing performance. Inside diameter is covered by rubber and improves sealing performance and easy installation. Forged cover plate is additional, strong protection of the Dirtblock seal against mechanical damage.

