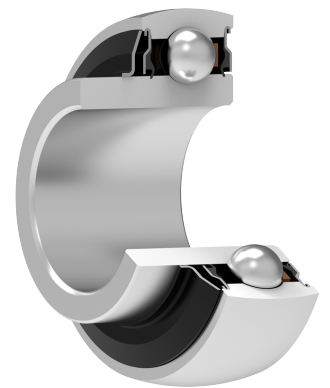
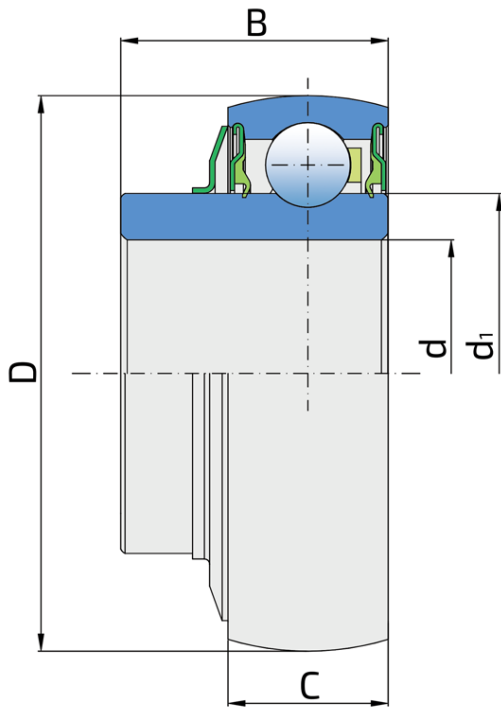


LS 205 FS



Technical Specification

d	Bore diameter	25 mm
D	Outside diameter	52 mm
B	Width inner ring	25 mm
C	Width outer ring	15 mm
d1	Outer diameter inner ring	33.7 mm
C _{dyn}	Dynamic load rating	14 kN
C _o	Static load rating	7.8 kN
P _u	Fatigue load limit	0.328 kN

Sealing

F SEAL / S SEAL (FS)

S seal on the base side and F seal on the front side which is exposed to contaminants. The F seal on the front side protects the bearing from contaminant penetration.

