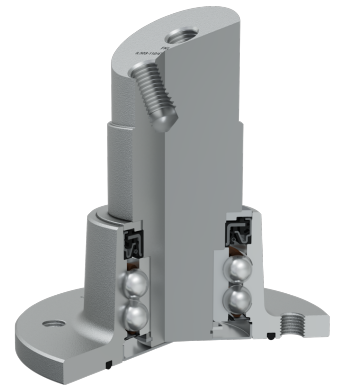
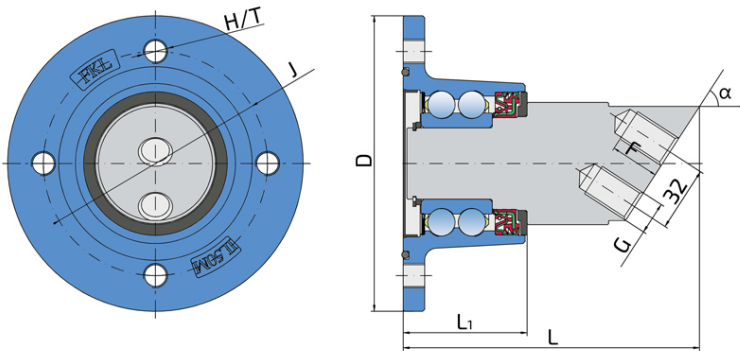


Integrated Flange, Maintenance-Free Bearing For Independent Discs

IL50S-110/4T-2xM16-40

Integrated Flange, Maintenance-Free Bearing For Independent Discs
Disc Harrow



Technical Specification

J	Pitch circle diameter	110 mm
D	Outside diameter	145 mm
H/T	Hole/Thread	4xM12x1.25 mm
G	Internal Thread	M16x2 mm
L	Total length	145.4 mm
L1	Total flange length	61 mm
F	Length of threaded part	24 mm
α	Contact angle	57 °
kg	Mass	3.973 kg
Cdyn	Dynamic load rating	48.76 kN
Co	Static load rating	35.3 kN
Pu	Fatigue load limit	1.483 kN

Sealing

O-RING + SHEET METAL SHIELD + RS SEAL / DIRTBLOCK SEAL + FORGED COVER PLATE

O-ring, Sheet metal shield and RS seal on the base side and Dirtblock seal and Forged cover plate on the front side which is exposed to contaminants.

O-ring, Sheet metal shield and RS seal together with attached disc eliminates the possibility of contamination from the base side. Dirtblock seal is designed for hard working condition at unfriendly environment. Half metal – half rubber outside diameter provides reliable seal retention in the bore and improves sealing performance. Inside diameter is covered by rubber and improves sealing performance and easy installation. Forged cover plate is additional, strong protection of the Dirtblock seal against mechanical damage.

This sealing provides maximum protection against liquid or solid contaminants, which significantly extends bearing service life.

