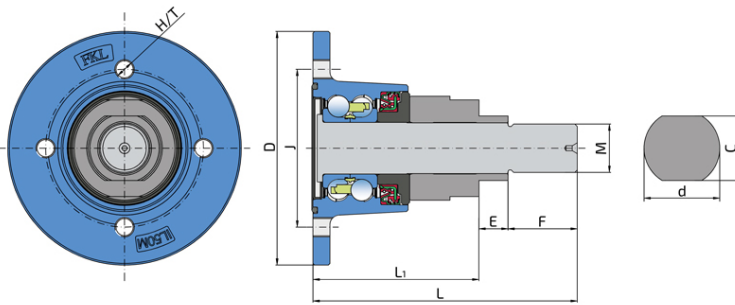


Integrated Flange, Maintenance-Free Bearing For Independent Discs

IL50-98/4T-M30x2-164

Integrated Flange, Maintenance-Free Bearing For Independent Discs
Disc Harrow



Technical Specification

J	Pitch circle diameter	98 mm
D	Outside diameter	145 mm
H/T	Hole/Thread	4xM12x1.25 mm
d	Installation diameter of the shaft	45 mm
C	D-shape hole cut out dimension	40 mm
M	Outer Thread	M30x2 mm
L	Total length	164 mm
L1	Total flange length	103 mm
E	Length of D shape	18 mm
F	Length of threaded part	43 mm
kg	Mass	4.367 kg
Cdyn	Dynamic load rating	60 kN
Co	Static load rating	45.8 kN
Pu	Fatigue load limit	1.924 kN

Sealing

O-RING+SHEET METAL SHIELD+RS SEAL / RS SEAL+DIRTBLOCK SEAL+FORGED COVER PLATE

O-ring, Sheet metal shield and RS seal on the base side and RS seal, Dirtblock seal with Forged cover plate on the front side which is exposed to contaminants.

O-ring, Sheet metal shield and RS seal together with attached disc eliminates the possibility of contamination from the base side.

Dirtblock seal is designed for hard working condition at unfriendly environment. Half metal - half rubber outside diameter provides reliable seal retention in the bore and improves sealing performance. Inside diameter is covered by rubber and improves sealing performance and easy installation. Forged cover plate is additional, strong protection of the Dirtblock seal against mechanical damage.

This sealing provides maximum protection against liquid or solid contaminants, which significantly extends bearing service life.

