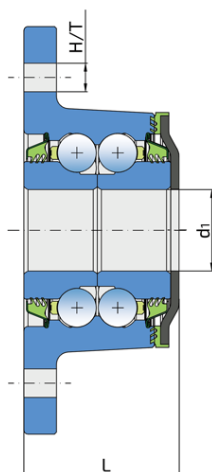
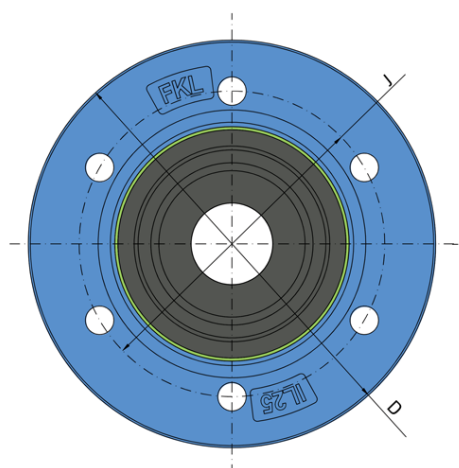


# The Bearing Solution For Seeding Machines, Integrated Flange

## IL25-75/6H-B20-T

The Bearing Solution For Seeding Machines, Integrated Flange



### Technical Specification

J	Pitch circle diameter	75 mm
D	Outside diameter	100 mm
H/T	Hole/Thread	5x7 mm
d1	Bore diameter	20 mm
L	Total length	39 mm
kg	Mass	0.78 kg
C <sub>dyn</sub>	Dynamic load rating	32 kN
C <sub>o</sub>	Static load rating	22 kN
P <sub>u</sub>	Fatigue load limit	0.924 kN

## Sealing

---

### T SEAL / T SEAL (2T)

3-lip seal on the both side of the bearing, provides equal protection against contamination. Recommended for application where the possibility of contamination is the same on the both side.

