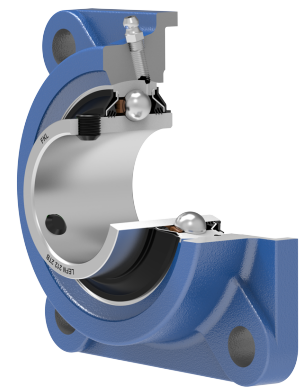
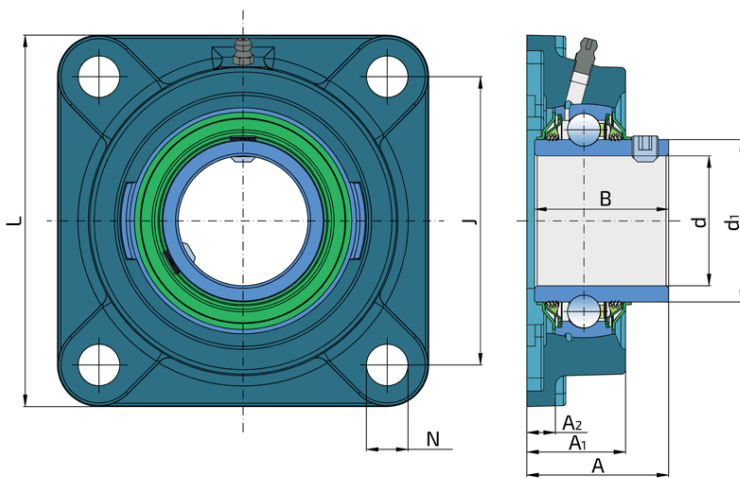


# Bearing Unit

## LEFN 212 2TB

Bearing Unit

Cultivators and disc seed drill



### Technical Specification

d	Bore diameter	60 mm
d1	Outer diameter inner ring	75.64 mm
L	Overall length	175 mm
J	Distance between the holes	143 mm
N	Hole diameter	19H13 mm
A	Overall width	68.7 mm
A1	Total housing width	48 mm
A2	Housing flange thickness	15 mm
B	Width inner ring	65.1 mm
kg	Mass	4.27 kg
C <sub>dyn</sub>	Dynamic load rating	52 kN
C <sub>o</sub>	Static load rating	36 kN
P <sub>u</sub>	Fatigue load limit	1.512 kN

## Sealing

---

### METAL FLINGER RING+T SEAL / T SEAL+ METAL FLINGER RING (2TB)

3-lip seal with Metal flinger ring on the both side of the bearing, provides equal protection against contamination. The Metal flinger ring protects the seal from mechanical damage.

