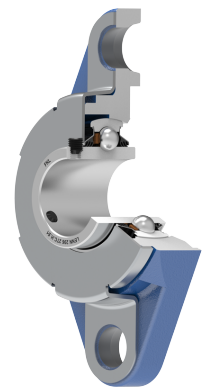
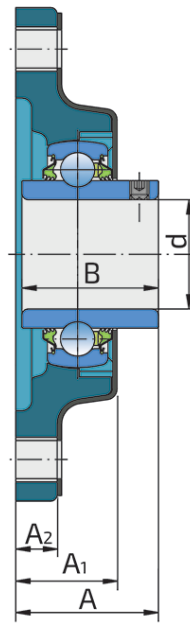
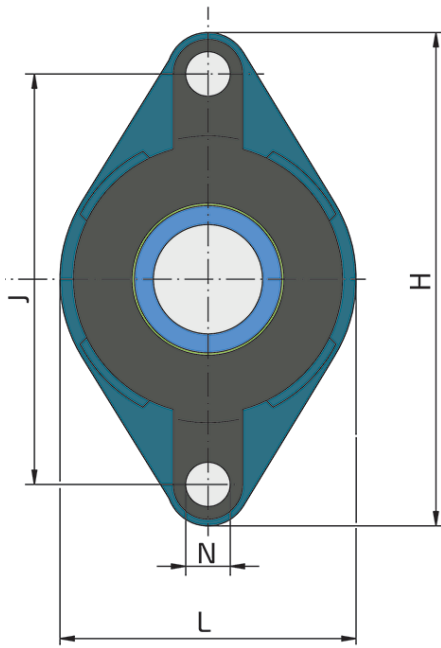
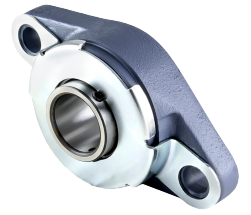


# Bearing Unit

## LENN 206 2TC.H.S1

Bearing Unit  
Universal Solution



### Technical Specification

d	Bore diameter	30 mm
H	Housing height	148 mm
L	Total length	80 mm
J	Distance between the holes	117 mm
N	Hole diameter	14.5 mm
A	Overall width	40.2 mm
A1	Total housing width	30.5 mm
A2	Housing flange thickness	13.5 mm
B	Width inner ring	38.1 mm
kg	Mass	1.12 kg
C <sub>dyn</sub>	Dynamic load rating	19.5 kN
C <sub>o</sub>	Static load rating	11.3 kN
P <sub>u</sub>	Fatigue load limit	0.475 kN

## Sealing

---

### T SEAL / T SEAL+METAL COVER

3-lip seal on the base side and 3-lip seal with Metal cover on the front side which is exposed to contaminants.

The 3-lip seal on the front side protects the bearing from contaminant penetration.

The Metal cover protects the seal from mechanical damage and from entanglement of grass stems of plants and twines.

