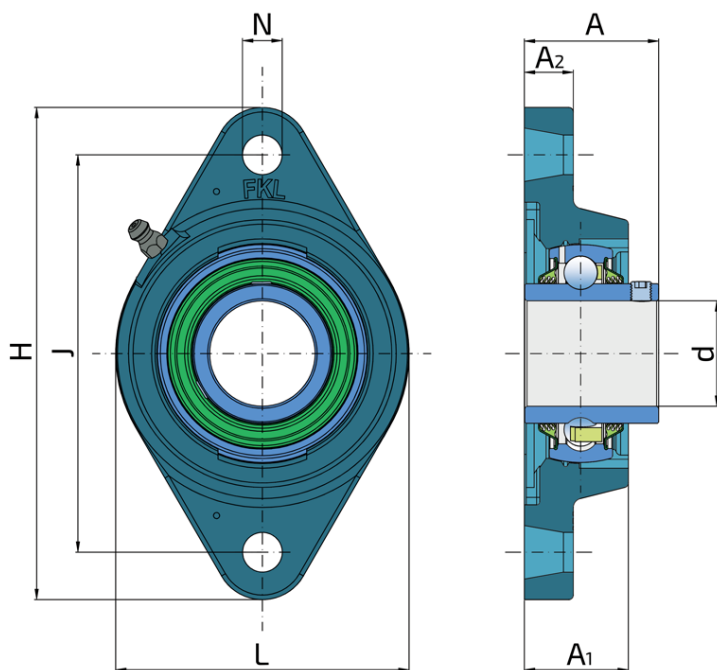
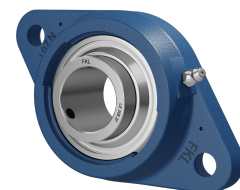


Y-Bearing Flanged Units With Oval Grey Cast Iron Housing "N"

LEN 208 2T

Y-Bearing Flanged Units With Oval Grey Cast Iron Housing "N"



Technical Specification

d	Bore diameter	40 mm
L	Overall width	100 mm
A	Distance from the housing flange to the front of the inner ring of the bearing	51.2 mm
A1	Total housing width	36 mm
A2	Housing flange thickness	16 mm
H	Housing height	175 mm
J	Distance between the holes	144 mm
N	Diameter of attachment slot	16 mm
kg	Mass	1.69 kg
C _{dyn}	Dynamic load rating	30.7 kN
C _o	Static load rating	19 kN
P _u	Fatigue load limit	0.8 kN

Sealing

T SEAL / T SEAL (2T)

3-lip seal on the both side of the bearing, provides equal protection against contamination. Recommended for application where the possibility of contamination is the same on the both side.

