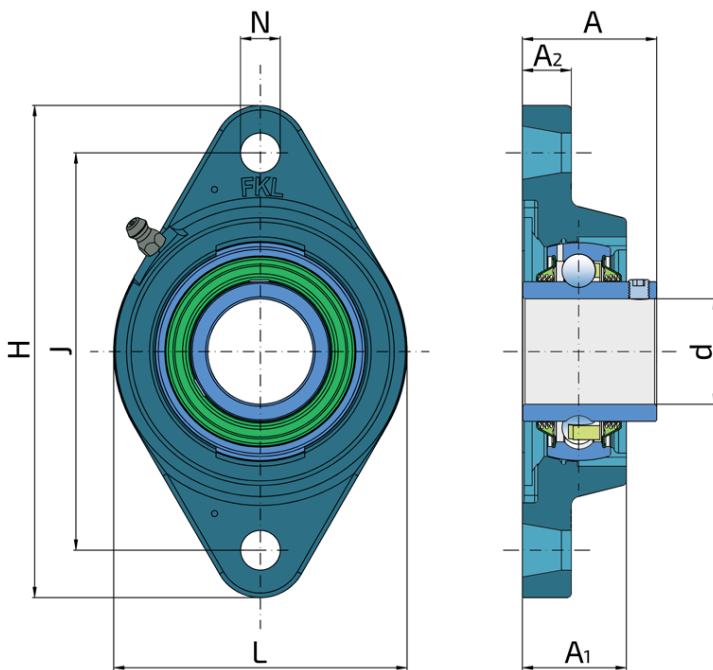
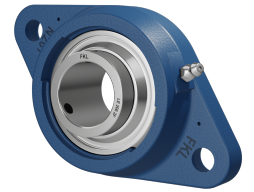


Y-Bearing Flanged Units With Oval Grey Cast Iron Housing "N"

LEN 206 2T

Y-Bearing Flanged Units With Oval Grey Cast Iron Housing "N"



Technical Specification

d	Bore diameter	30 mm
L	Overall width	80 mm
A	Distance from the housing flange to the front of the inner ring of the bearing	40.2 mm
A1	Total housing width	30.5 mm
A2	Housing flange thickness	30.5 mm
H	Housing height	148 mm
J	Distance between the holes	117 mm
N	Diameter of attachment slot	16 mm
kg	Mass	0.9 kg
C _{dyn}	Dynamic load rating	19.5 kN
C _o	Static load rating	11.2 kN
P _u	Fatigue load limit	0.475 kN

Sealing

T SEAL / T SEAL (2T)

3-lip seal on the both side of the bearing, provides equal protection against contamination. Recommended for application where the possibility of contamination is the same on the both side.

