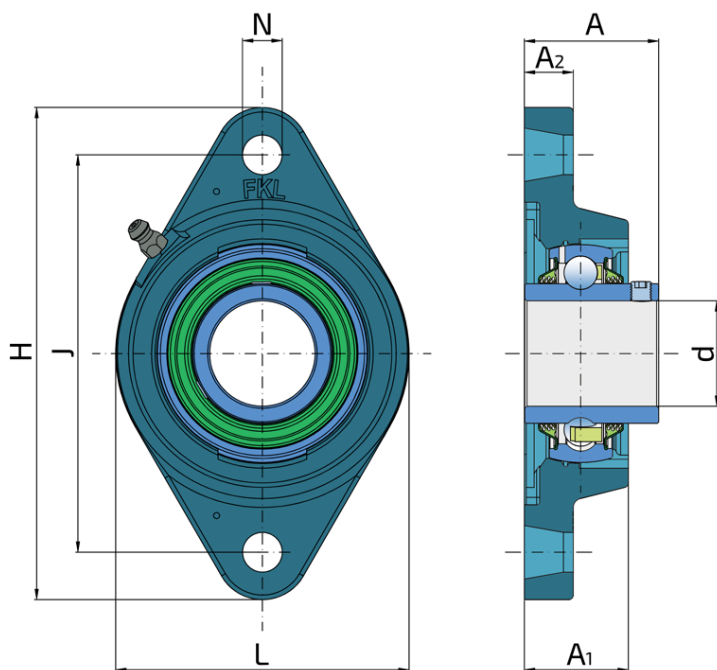
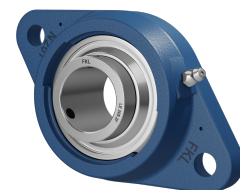


Y-Bearing Flanged Units With Oval Grey Cast Iron Housing "N"

LEN 205 2T

Y-Bearing Flanged Units With Oval Grey Cast Iron Housing "N"



Technical Specification

d	Bore diameter	25 mm
L	Overall width	68 mm
A	Distance from the housing flange to the front of the inner ring of the bearing	35.8 mm
A1	Total housing width	27 mm
A2	Housing flange thickness	14 mm
H	Housing height	130 mm
J	Distance between the holes	99 mm
N	Diameter of attachment slot	16 mm
kg	Mass	0.61 kg
C _{dyn}	Dynamic load rating	14 kN
C _o	Static load rating	7.8 kN
P _u	Fatigue load limit	0.335 kN

Sealing

T SEAL / T SEAL (2T)

3-lip seal on the both side of the bearing, provides equal protection against contamination. Recommended for application where the possibility of contamination is the same on the both side.

