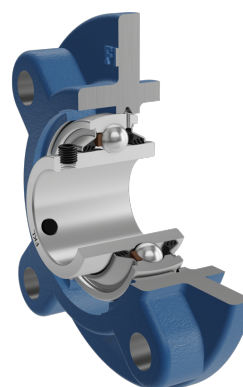
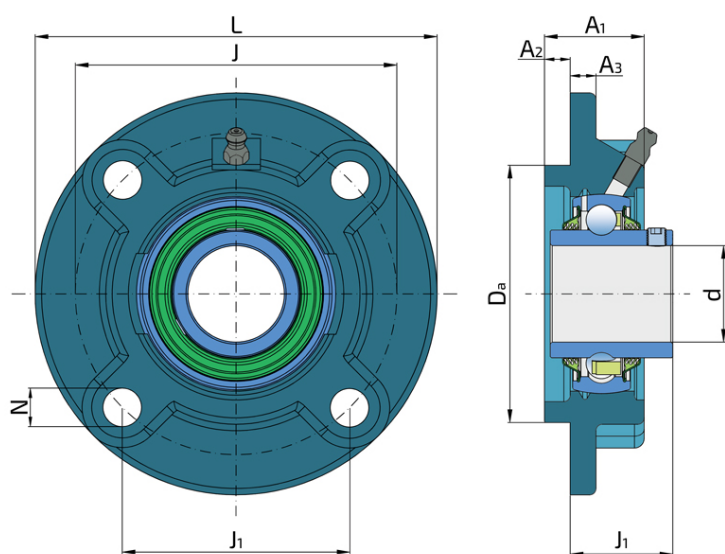


# Y-Bearing Flanged Units With Round Grey Cast Iron Housing "G"

## LEG 210 2T

Y-Bearing Flanged Units With Round Grey Cast Iron Housing "G"



### Technical Specification

d	Bore diameter	50 mm
Da	Centering diameter	110 mm
L	Overall width	165 mm
A	Distance from the housing flange to the front of the inner ring of the bearing	42.6 mm
A1	Total housing width	40 mm
A2	Housing flange thickness	14 mm
A3	Centering diameter height	12 mm
J	Pitch circle diameter	138 mm
J1	Distance between the holes	97.6 mm
N	Diameter of attachment slot	16 mm
kg	Mass	2.93 kg
Cdyn	Dynamic load rating	35.1 kN
Co	Static load rating	23.2 kN
Pu	Fatigue load limit	0.98 kN

## Sealing

---

### T SEAL / T SEAL (2T)

3-lip seal on the both side of the bearing, provides equal protection against contamination. Recommended for application where the possibility of contamination is the same on the both side.

