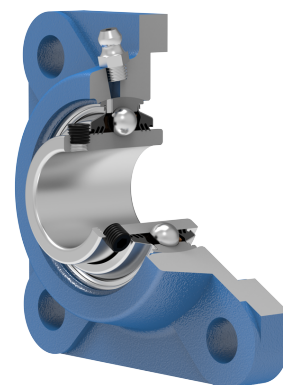
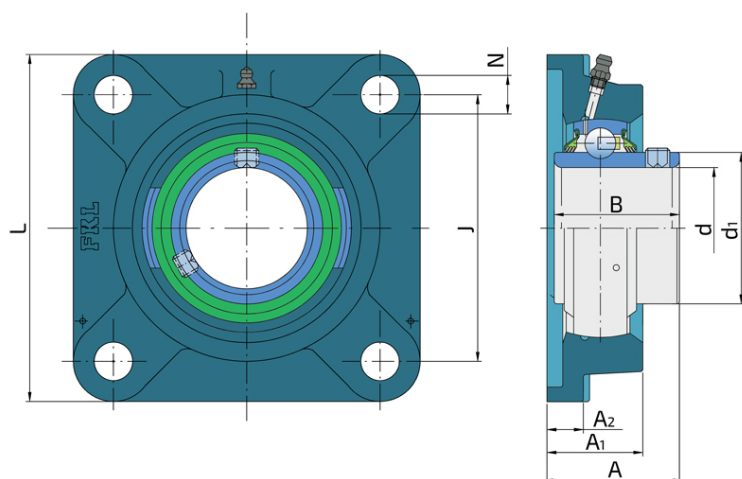
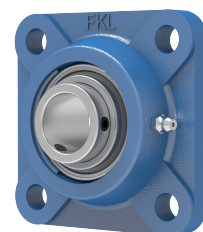


# Y-Bearing Flanged Units With Square Grey Cast Iron Housing "F"

## LEF 211 2T

Y-Bearing Flanged Units With Square Grey Cast Iron Housing "F"



### Technical Specification

d	Bore diameter	55 mm
d1	Outer diameter inner ring	69.06 mm
L	Total length	162 mm
J	Distance between the holes	130 mm
N	Hole diameter	19 mm
A	Overall width	58.4 mm
A1	Total housing width	43 mm
A2	Housing flange thickness	17 mm
B	Width inner ring	55.6 mm
kg	Mass	3.04 kg
Cdyn	Dynamic load rating	43.6 kN
Co	Static load rating	29 kN
Pu	Fatigue load limit	1.218 kN

## Sealing

---

### T SEAL / T SEAL (2T)

3-lip seal on the both side of the bearing, provides equal protection against contamination. Recommended for application where the possibility of contamination is the same on the both side.

