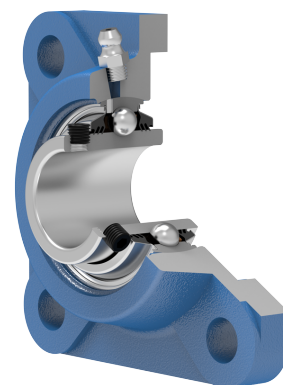
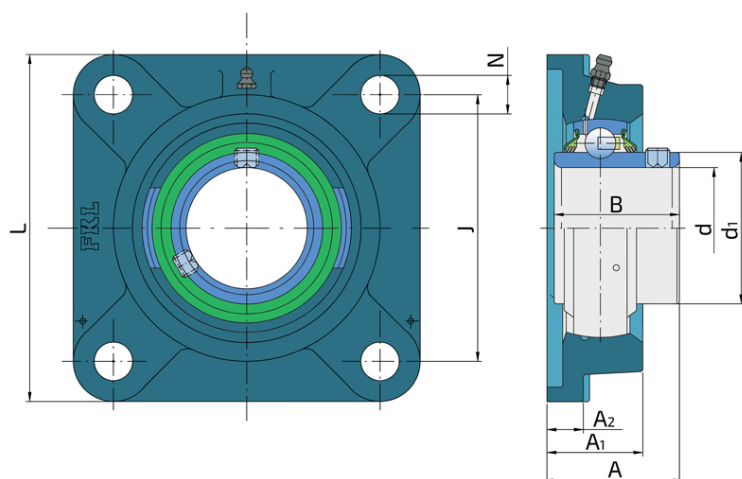
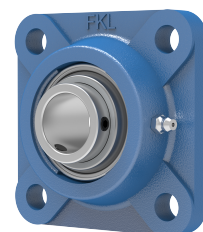


Y-Bearing Flanged Units With Square Grey Cast Iron Housing "F"

LEF 208 2T

Y-Bearing Flanged Units With Square Grey Cast Iron Housing "F"



Technical Specification

d	Bore diameter	40 mm
d1	Outer diameter inner ring	51.8 mm
L	Total length	130 mm
J	Distance between the holes	102 mm
N	Hole diameter	16H13 mm
A	Overall width	51.2 mm
A1	Total housing width	36 mm
A2	Housing flange thickness	11 mm
B	Width inner ring	49.2 mm
kg	Mass	1.85 kg
Cdyn	Dynamic load rating	30.7 kN
Co	Static load rating	19 kN
Pu	Fatigue load limit	0.798 kN

Sealing

T SEAL / T SEAL (2T)

3-lip seal on the both side of the bearing, provides equal protection against contamination. Recommended for application where the possibility of contamination is the same on the both side.

