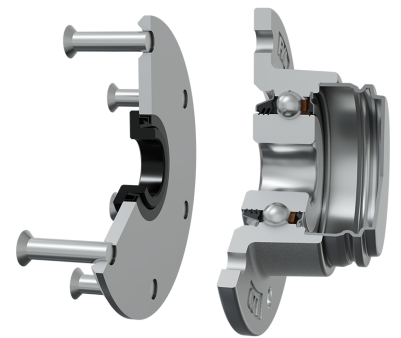
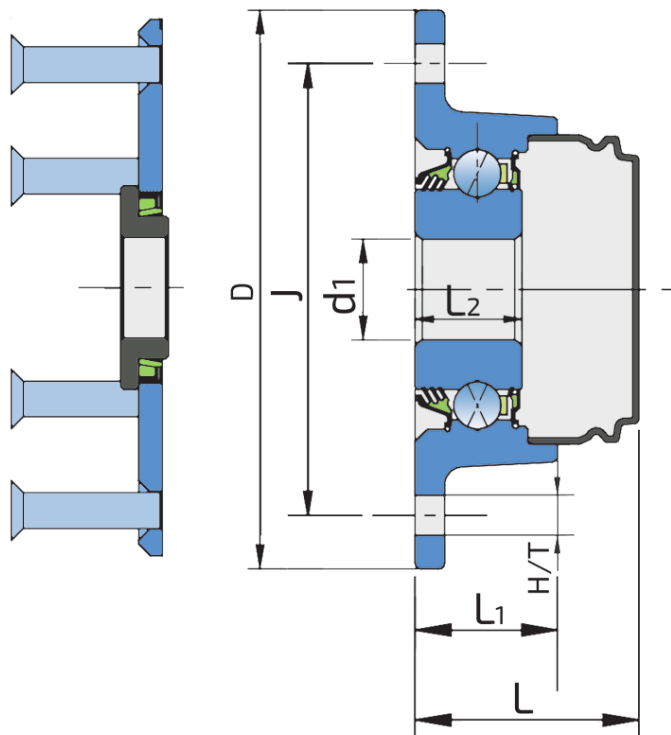


The Bearing Solution For Seeding Machines, Integrated Flange

IL20-75/6H-B17+GK

The Bearing Solution For Seeding Machines, Integrated Flange

Mounted in-line mechanical seed drill, in-line pneumatic combi seed drill, pneumatic precision planter with telescopic frame, pneumatic seeder



Technical Specification

J	Pitch circle diameter	75 mm
D	Outside diameter	94 mm
H/T	Hole/Thread	6x6.4 mm
d1	Bore diameter	17 mm
L	Total length	37.7 mm
L1	Total flange length	24 mm
L2	Bearing width	18 mm
kg	Mass	0.75 kg
Cdyn	Dynamic load rating	22 kN
Co	Static load rating	15.2 kN
Pu	Fatigue load limit	0.64 kN

Sealing

T SEAL / S SEAL+METAL PROTECTIVE CAP

3-lip seal on the base side and the S seal with Metal protective cap on the front side.

3-lip seal on the base side also protected with attached disc, protecting the bearing from contamination.

S seal with a Metal protective cap on the front side eliminates bearing contaminants.

