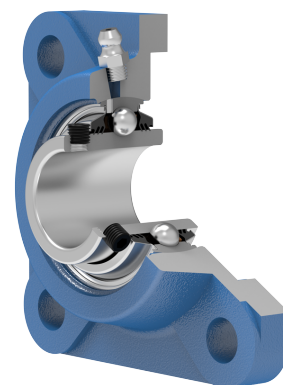
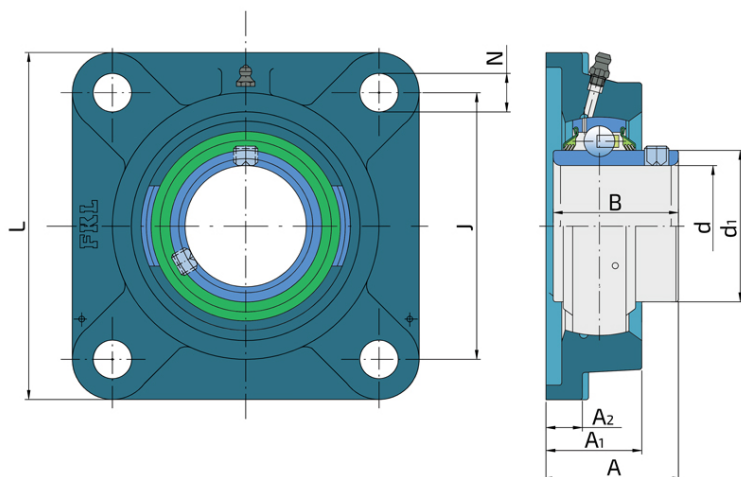
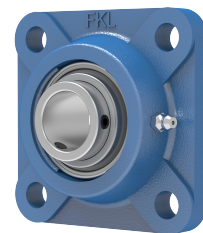


Y-Bearing Flanged Units With Square Grey Cast Iron Housing "F"

LEF 206 2T

Y-Bearing Flanged Units With Square Grey Cast Iron Housing "F"



Technical Specification

d	Bore diameter	30 mm
d1	Outer diameter inner ring	39.7 mm
L	Total length	108 mm
J	Distance between the holes	83 mm
N	Hole diameter	12H13 mm
A	Overall width	40.2 mm
A1	Total housing width	31 mm
A2	Housing flange thickness	11 mm
B	Width inner ring	38.1 mm
kg	Mass	1.05 kg
Cdyn	Dynamic load rating	19.5 kN
Co	Static load rating	11.3 kN
Pu	Fatigue load limit	0.475 kN

Sealing

T SEAL / T SEAL (2T)

3-lip seal on the both side of the bearing, provides equal protection against contamination. Recommended for application where the possibility of contamination is the same on the both side.

