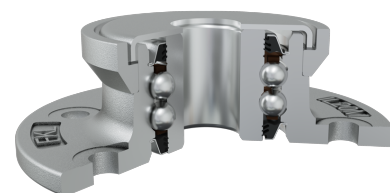
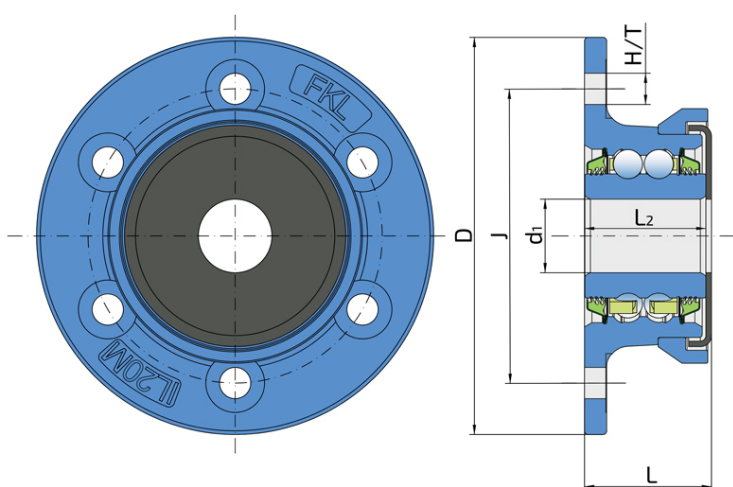


Double row angular contact ball bearing

IL20S-80/6H-B20

Double row angular contact ball bearing
Planters



Technical Specification

J	Pitch circle diameter	80 mm
D	Outside diameter	108 mm
H/T	Hole/Thread	6x8.5 mm
d1	Bore diameter	20 mm
L	Total length	34.5 mm
L2	Bearing width	33 mm
kg	Mass	0.729 kg
Cdyn	Dynamic load rating	21.6 kN
Co	Static load rating	14.3 kN
Pu	Fatigue load limit	0.601 kN

Sealing

T SEAL / T SEAL + METAL SHIELD

- 3-lip seal on the base side and the 3-lip seal with Metal shield on the front side.
- 3-lip seal on the base side protects the bearing from contamination.
- 3-lip seal with a Metal shield on the front side eliminates bearing contaminants.

