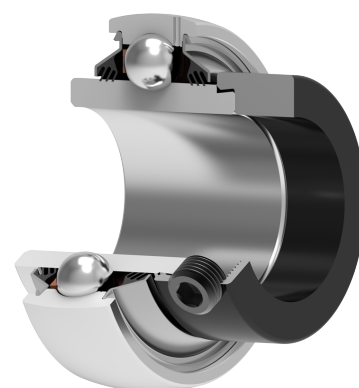
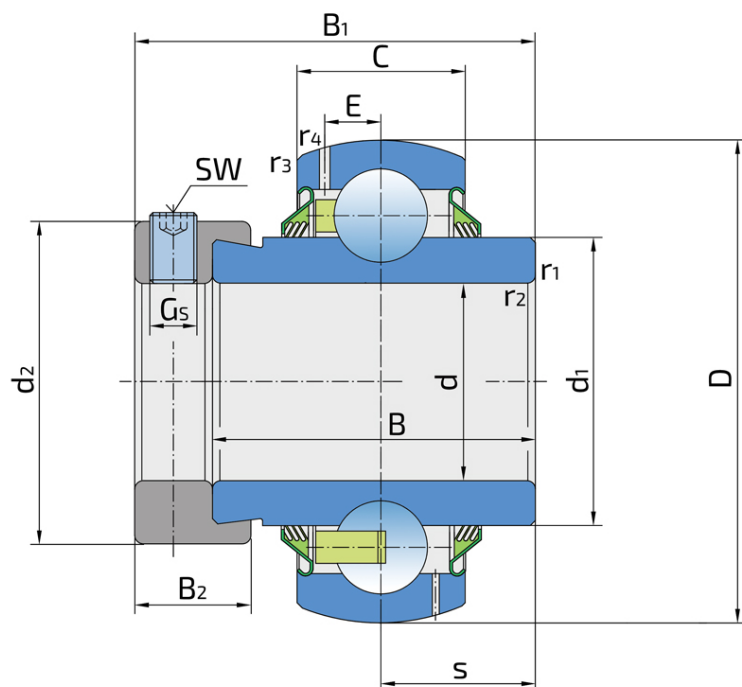


# Y-Ball Bearings With Eccentric Locking Collar

## LY 212 2T

Y-Ball Bearings With Eccentric Locking Collar



### Technical Specification

d	Bore diameter	60 mm
D	Outside diameter	110 mm
B	Width inner ring	62 mm
C	Width outer ring	26 mm
s	Distance from inner ring side face to raceway centre	31 mm
d1	Outer diameter inner ring	75.5 mm
E	Distance from raceway centre to the hole for lubrication	7.7 mm
Gs	Set screw	M10x1 mm
sw	Hexagonal key size for set screw	5 mm
r1,2	Inner ring Chamfer dimension	1.5 mm
r3,4	Outside ring Chamfer dimension	2 mm
B1	Width inner ring with locking collar	77.8 mm
d2	Locking collar outside diameter	84 mm
B2	Width locking collar	22.3 mm
Cdyn	Dynamic load rating	52.7 kN
Co	Static load rating	36 kN
Pu	Fatigue load limit	1.53 kN
kg	Mass	1.67 kg

## Sealing

---

### T SEAL / T SEAL (2T)

3-lip seal on the both side of the bearing, provides equal protection against contamination. Recommended for application where the possibility of contamination is the same on the both side.

