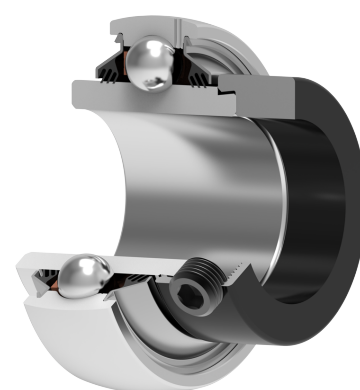
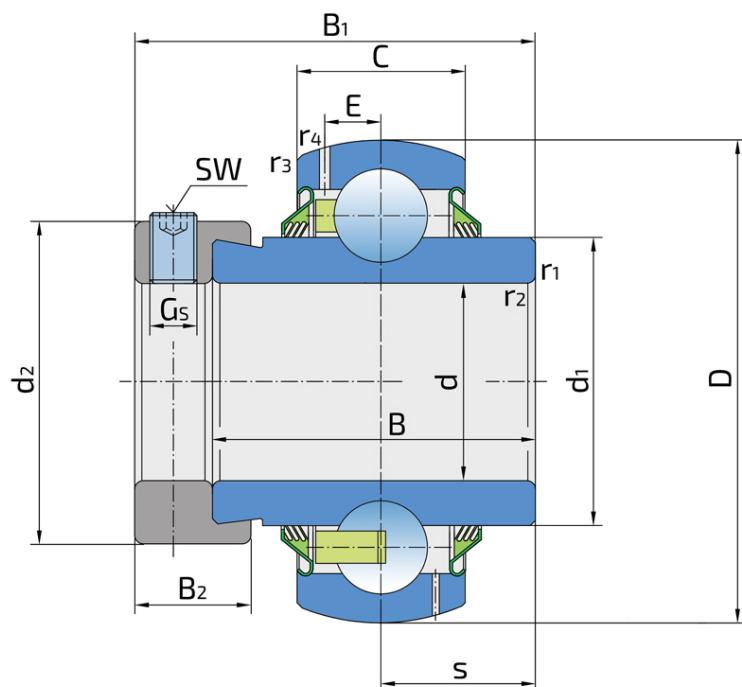


# Y-Ball Bearings With Eccentric Locking Collar

## LY 210 2T

Y-Ball Bearings With Eccentric Locking Collar



### Technical Specification

d	Bore diameter	50 mm
D	Outside diameter	90 mm
B	Width inner ring	49.2 mm
C	Width outer ring	22 mm
s	Distance from inner ring side face to raceway centre	24.6 mm
d1	Outer diameter inner ring	62.5 mm
E	Distance from raceway centre to the hole for lubrication	6.4 mm
Gs	Set screw	M10x1 mm
sw	Hexagonal key size for set screw	5 mm
r1,2	Inner ring Chamfer dimension	1 mm
r3,4	Outside ring Chamfer dimension	1.5 mm
B1	Width inner ring with locking collar	62.7 mm
d2	Locking collar outside diameter	67.6 mm
B2	Width locking collar	18.3 mm
Cdyn	Dynamic load rating	35.1 kN
Co	Static load rating	23.2 kN
Pu	Fatigue load limit	0.98 kN
kg	Mass	0.91 kg

## Sealing

---

### T SEAL / T SEAL (2T)

3-lip seal on the both side of the bearing, provides equal protection against contamination. Recommended for application where the possibility of contamination is the same on the both side.

