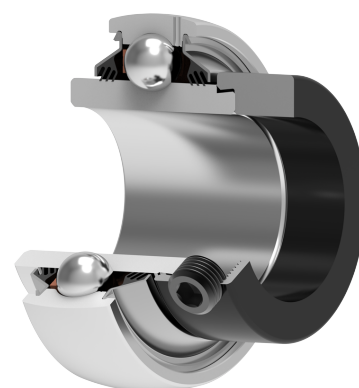
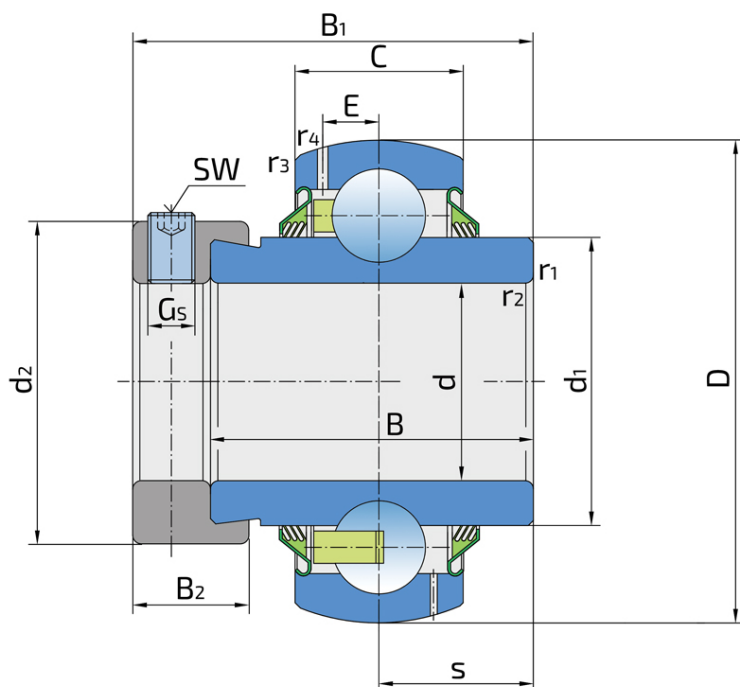


Y-Ball Bearings With Eccentric Locking Collar

LY 208 2T

Y-Ball Bearings With Eccentric Locking Collar



Technical Specification

d	Bore diameter	40 mm
D	Outside diameter	80 mm
B	Width inner ring	42.8 mm
C	Width outer ring	22 mm
s	Distance from inner ring side face to raceway centre	21.4 mm
d1	Outer diameter inner ring	56.6 mm
E	Distance from raceway centre to the hole for lubrication	6.1 mm
Gs	Set screw	M10x1 mm
sw	Hexagonal key size for set screw	5 mm
r1,2	Inner ring Chamfer dimension	1 mm
r3,4	Outside ring Chamfer dimension	1.5 mm
B1	Width inner ring with locking collar	56.3 mm
d2	Locking collar outside diameter	63.6 mm
B2	Width locking collar	18.3 mm
Cdyn	Dynamic load rating	30.7 kN
Co	Static load rating	19 kN
Pu	Fatigue load limit	0.8 kN
kg	Mass	0.8 kg

Sealing

T SEAL / T SEAL (2T)

3-lip seal on the both side of the bearing, provides equal protection against contamination. Recommended for application where the possibility of contamination is the same on the both side.

