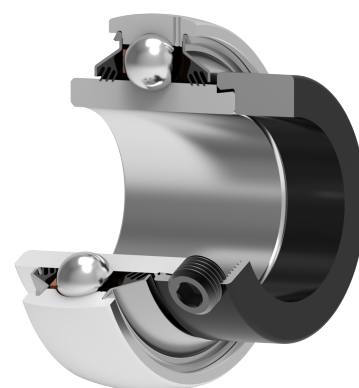
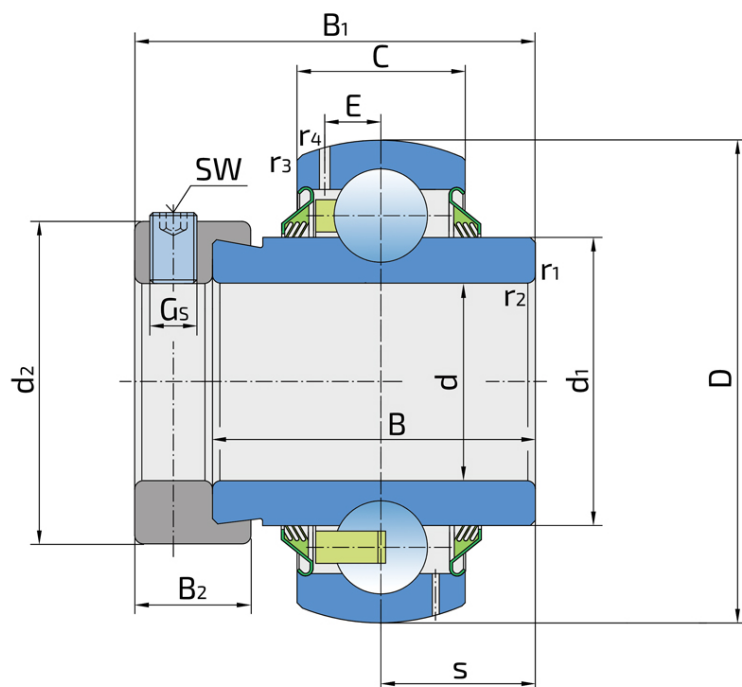


Y-Ball Bearings With Eccentric Locking Collar

LY 206 2T

Y-Ball Bearings With Eccentric Locking Collar



Technical Specification

d	Bore diameter	30 mm
D	Outside diameter	62 mm
B	Width inner ring	48.4 mm
C	Width outer ring	18 mm
s	Distance from inner ring side face to raceway centre	18.3 mm
d1	Outer diameter inner ring	39.7 mm
E	Distance from raceway centre to the hole for lubrication	5.1 mm
Gs	Set screw	M8x1 mm
sw	Hexagonal key size for set screw	4 mm
r1,2	Inner ring Chamfer dimension	0.6 mm
r3,4	Outside ring Chamfer dimension	0.6 mm
B1	Width inner ring with locking collar	36.5 mm
d2	Locking collar outside diameter	44.2 mm
B2	Width locking collar	16 mm
Cdyn	Dynamic load rating	19.5 kN
Co	Static load rating	11.2 kN
Pu	Fatigue load limit	0.48 kN
kg	Mass	0.37 kg

Sealing

T SEAL / T SEAL (2T)

3-lip seal on the both side of the bearing, provides equal protection against contamination. Recommended for application where the possibility of contamination is the same on the both side.

