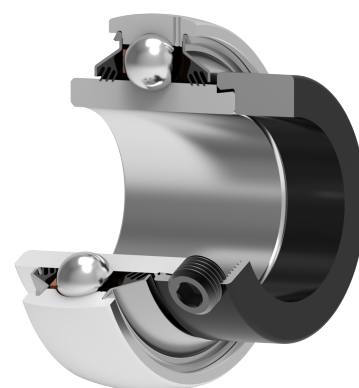
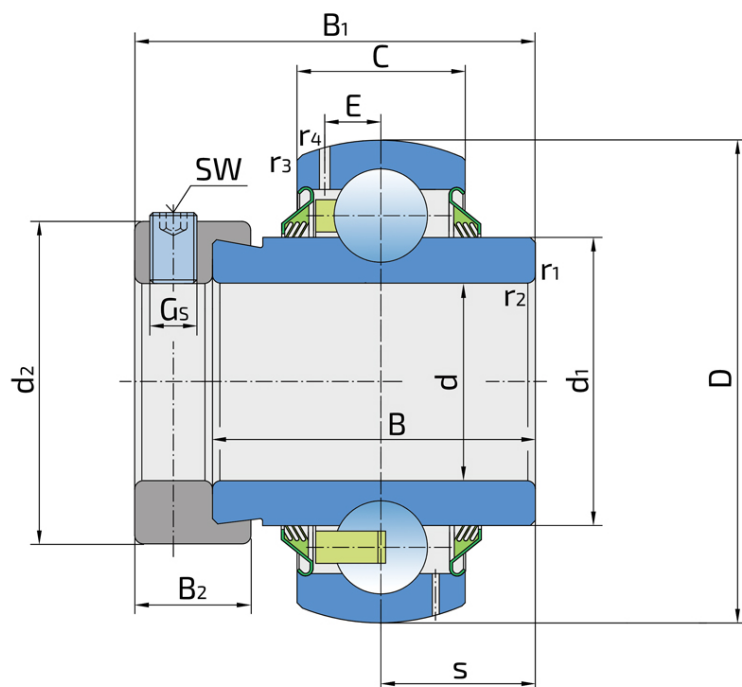


Y-Ball Bearings With Eccentric Locking Collar

LY 205 2T

Y-Ball Bearings With Eccentric Locking Collar



Technical Specification

d	Bore diameter	25 mm
D	Outside diameter	52 mm
B	Width inner ring	44.4 mm
C	Width outer ring	15 mm
s	Distance from inner ring side face to raceway centre	17.5 mm
d1	Outer diameter inner ring	33.6 mm
E	Distance from raceway centre to the hole for lubrication	4.3 mm
Gs	Set screw	M6x0.75 mm
sw	Hexagonal key size for set screw	3 mm
r1,2	Inner ring Chamfer dimension	0.6 mm
r3,4	Outside ring Chamfer dimension	0.6 mm
B1	Width inner ring with locking collar	34.8 mm
d2	Locking collar outside diameter	37.4 mm
B2	Width locking collar	13.5 mm
Cdyn	Dynamic load rating	14 kN
Co	Static load rating	7.8 kN
Pu	Fatigue load limit	0.34 kN
kg	Mass	0.23 kg

Sealing

T SEAL / T SEAL (2T)

3-lip seal on the both side of the bearing, provides equal protection against contamination. Recommended for application where the possibility of contamination is the same on the both side.

