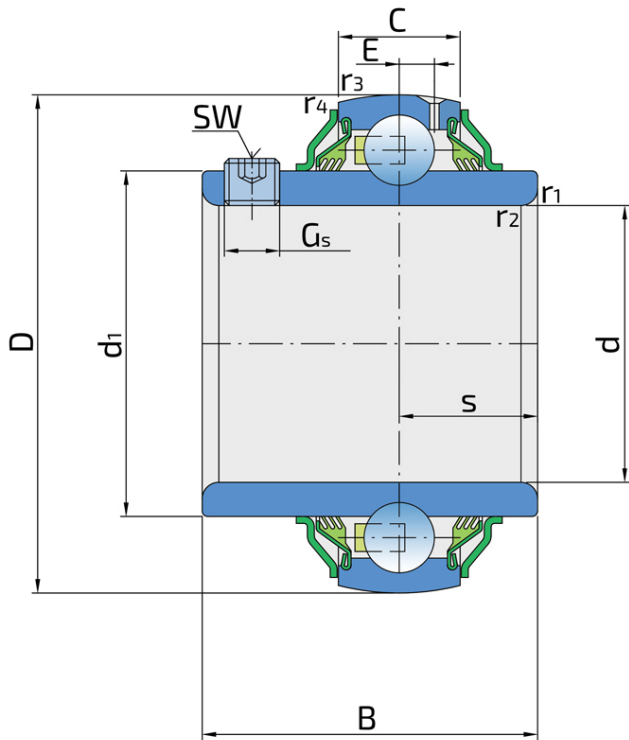


Y-Ball Bearings With Grub Screw Locking

LE 214 2TB

Y-Ball Bearings With Grub Screw Locking



Technical Specification

d	Bore diameter	70 mm
D	Outside diameter	125 mm
B	Width inner ring	69.9 mm
C	Width outer ring	28 mm
s	Distance from inner ring side face to raceway centre	30.2 mm
d1	Outer diameter inner ring	87.1 mm
E	Distance from raceway centre to the hole for lubrication	8.1 mm
Gs	Set screw	M10x1 mm
sw	Hexagonal key size for set screw	5 mm
r1,2	Inner ring Chamfer dimension	1.5 mm
r3,4	Outside ring Chamfer dimension	2 mm
Cdyn	Dynamic load rating	62.4 kN
Co	Static load rating	44 kN
Pu	Fatigue load limit	1.86 kN
kg	Mass	1.9 kg

Sealing

METAL FLINGER RING+T SEAL / T SEAL+ METAL FLINGER RING (2TB)

3-lip seal with Metal flinger ring on the both side of the bearing, provides equal protection against contamination. The Metal flinger ring protects the seal from mechanical damage.

