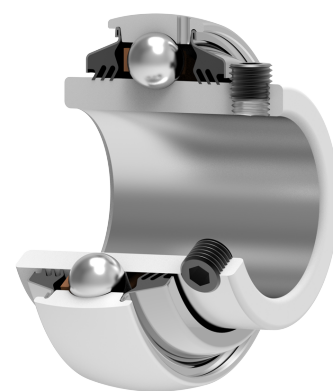
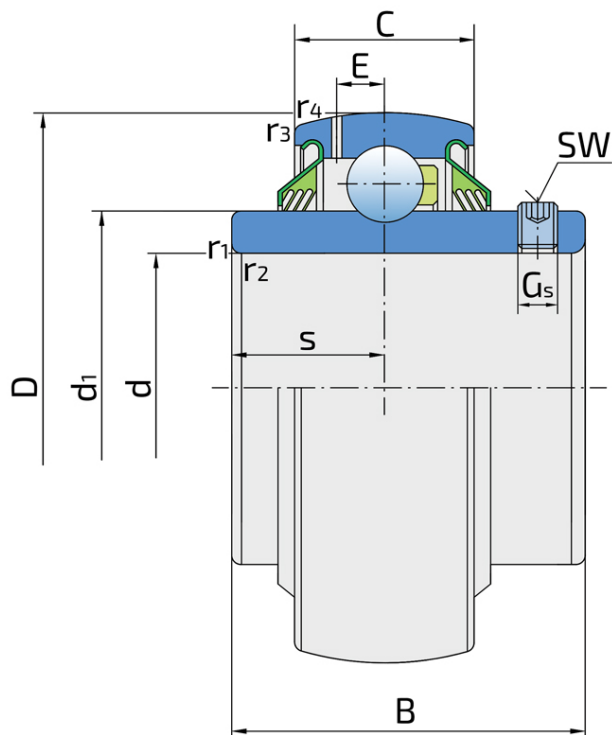


# Y-Ball Bearings With Grub Screw Locking

## LE 208 2T

Y-Ball Bearings With Grub Screw Locking



### Technical Specification

d	Bore diameter	40 mm
D	Outside diameter	80 mm
B	Width inner ring	49.2 mm
C	Width outer ring	21 mm
s	Distance from inner ring side face to raceway centre	19 mm
d1	Outer diameter inner ring	51.8 mm
E	Distance from raceway centre to the hole for lubrication	6.1 mm
Gs	Set screw	M8x1 mm
sw	Hexagonal key size for set screw	4 mm
r1,2	Inner ring Chamfer dimension	1 mm
r3,4	Outside ring Chamfer dimension	1 mm
Cdyn	Dynamic load rating	30.7 kN
Co	Static load rating	19 kN
Pu	Fatigue load limit	0.8 kN
kg	Mass	0.55 kg

## Sealing

---

### T SEAL / T SEAL (2T)

3-lip seal on the both side of the bearing, provides equal protection against contamination. Recommended for application where the possibility of contamination is the same on the both side.

