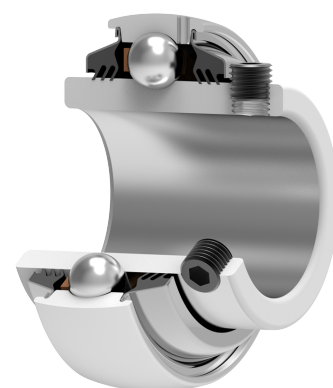
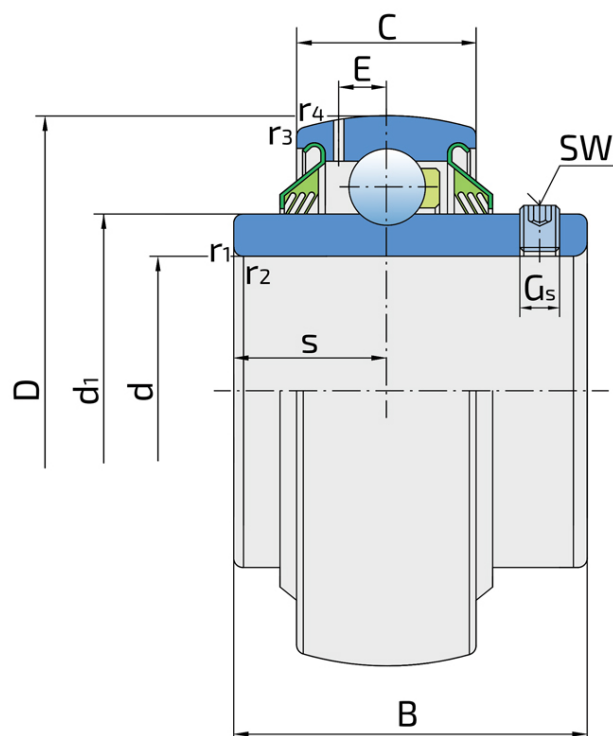


# Y-Ball Bearings With Grub Screw Locking

## LE 207 2T

Y-Ball Bearings With Grub Screw Locking



### Technical Specification

$d$	Bore diameter	35 mm
$D$	Outside diameter	72 mm
$B$	Width inner ring	42.9 mm
$C$	Width outer ring	19 mm
$s$	Distance from inner ring side face to raceway centre	17.5 mm
$d_1$	Outer diameter inner ring	46.1 mm
$E$	Distance from raceway centre to the hole for lubrication	5.6 mm
$G_s$	Set screw	M6x0.75 mm
$sw$	Hexagonal key size for set screw	3 mm
$r_{1,2}$	Inner ring Chamfer dimension	1 mm
$r_{3,4}$	Outside ring Chamfer dimension	1 mm
$C_{dyn}$	Dynamic load rating	25.5 kN
$C_o$	Static load rating	15.3 kN
$P_u$	Fatigue load limit	0.655 kN
$kg$	Mass	0.41 kg

## Sealing

---

### T SEAL / T SEAL (2T)

3-lip seal on the both side of the bearing, provides equal protection against contamination. Recommended for application where the possibility of contamination is the same on the both side.

