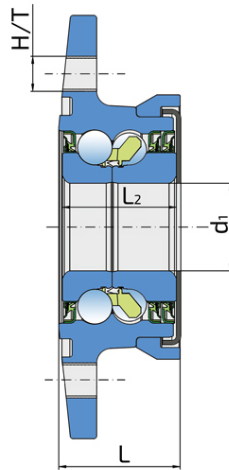
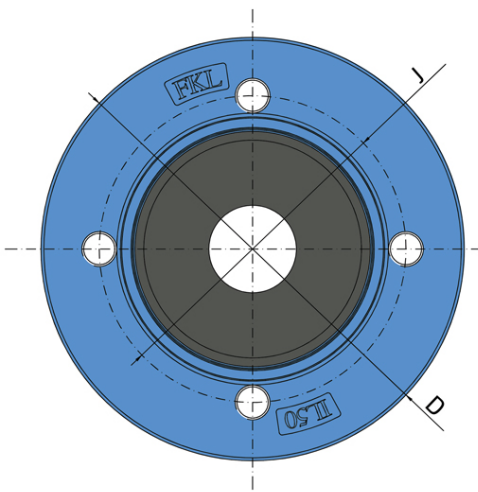


Maintenance-Free Bearing With Integrated Flange For Harsh Working Environments

IL50V-104/4T-B30

Maintenance-Free Bearing With Integrated Flange For Harsh Working Environments

Rapid seed drills, pneumatic seed drills and disc cultivators



Technical Specification

J	Pitch circle diameter	104 mm
D	Outside diameter	145 mm
H/T	Hole/Thread	4xM12x1.25 mm
d1	Bore diameter	30 mm
L	Total length	41.8 mm
L2	Bearing width	39 mm
Cdyn	Dynamic load rating	47.4 kN
Co	Static load rating	38.3 kN
Pu	Fatigue load limit	1.61 kN

Sealing

CASSETTE SEAL / DOUBLE CASSETTE SEAL + METAL SHIELD

Cassette seal on the base side and double cassette seal with metal shield on the front side. This sealing provides excellent protection from contamination and low friction.

