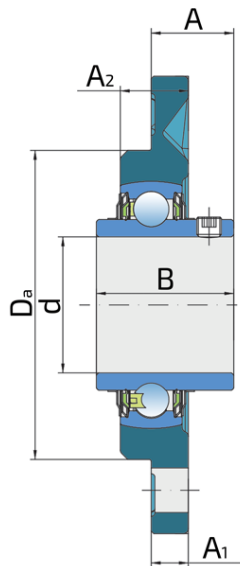
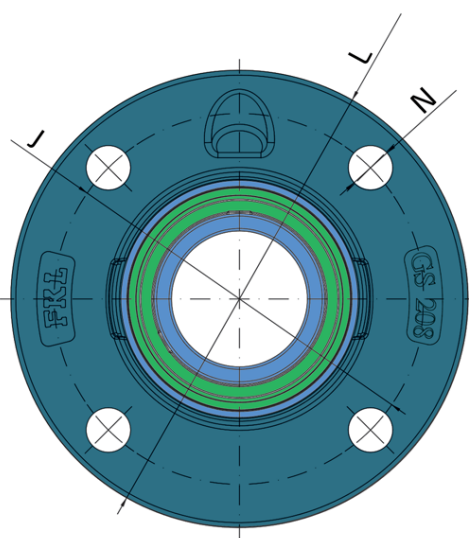


# Housing units LEGS, four-bolt flanged housing units, cast iron, centring spigot, grub screw in inner ring, F seals

## LEGS 208 2F.H

Housing units LEGS, four-bolt flanged housing units, cast iron, centring spigot, grub screw in inner ring, F seals  
Harvester Solution



### Technical Specification

d	Bore diameter	40 mm
Da	Centering diameter	100 mm
L	Diameter of housings	145 mm
A	Distance from the housing flange to the front of the inner ring of the bearing	29.2 mm
A1	Housing flange thickness	11.5 mm
A2	Height of the housing	23 mm
J	Pitch circle diameter	120 mm
N	Hole diameter	11.5 mm
B	Width inner ring	49.2 mm
kg	Mass	1.656 kg
Cdyn	Dynamic load rating	30.7 kN
Co	Static load rating	19 kN
Pu	Fatigue load limit	0.798 kN

## Sealing

---

### F SEAL / F SEAL (2F)

Dual sealing, protection cover placed on the inner ring protects against rough impurity particles and makes the labyrinth with the sheet part of the seal; then the sealing S type,

with the labyrinth between the sheet part and the rubber lip that conducts the contact sealing. The friction and speeds are the same as with S but has much better protection

against rough impurity particles. It is very good sealing system: the sheet part protects the seal from the soil, dust and

rough particles. At the same time makes the labyrinth with the rubber part. The rubber part provides the contact sealing that prevents the penetration of the finer impurities, water, moisture, steam etc. Suitable for heavier conditions due to better protection against foreign matters. It is used with the Y bearings (standard).

