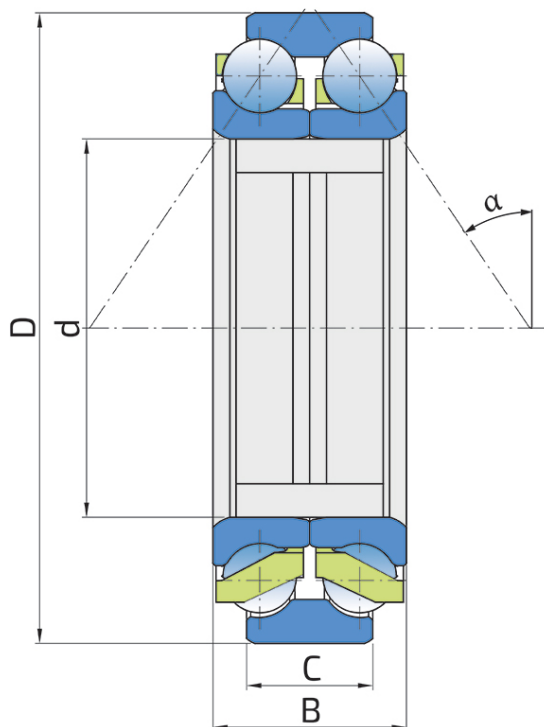
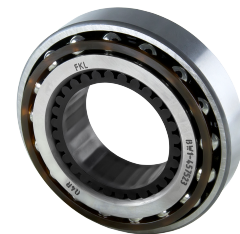


# Double Row Angular Contact Ball Bearing

## BW1-457523

Double Row Angular Contact Ball Bearing  
Disc mower



### Technical Specification

d	Bore diameter	45 mm
D	Outside diameter	75 mm
B	Width inner ring	23 mm
C	D-shape hole cut out dimension	15 mm
$\alpha$	Contact angle	34 °
kg	Mass	0.345 kg
C <sub>dyn</sub>	Dynamic load rating	35 kN
C <sub>o</sub>	Static load rating	34 kN
P <sub>u</sub>	Fatigue load limit	1.428 kN

## Sealing

---

OPEN BEARING