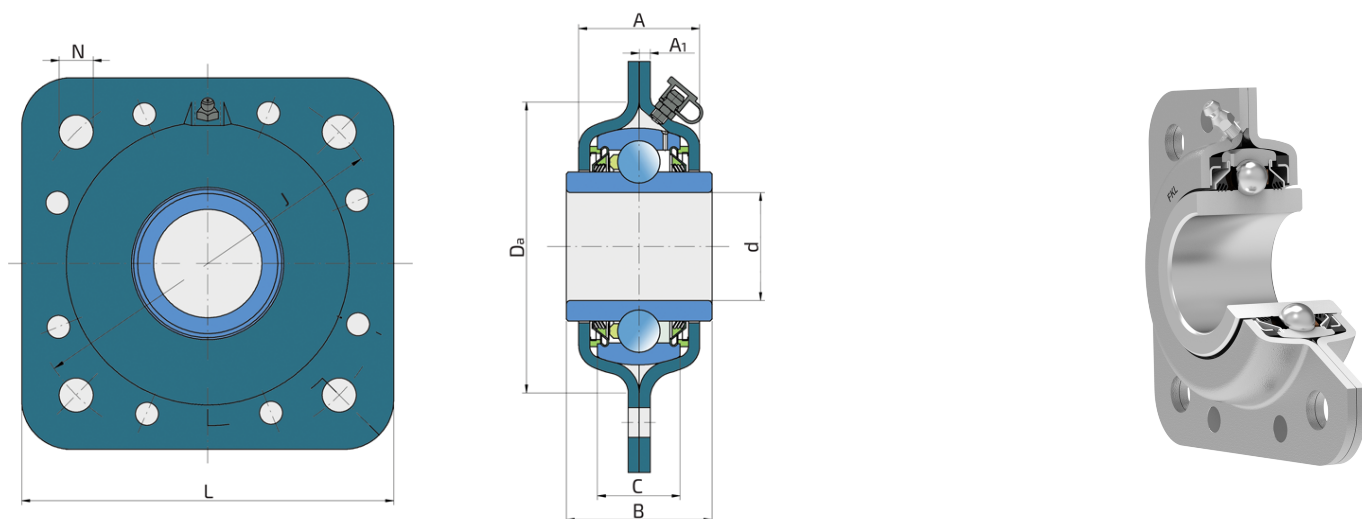


Square Series

GWST 209PPB40

Square Series
Disc Harrow



Technical Specification

d	Bore diameter	1.5748 inch
d	Bore diameter	40 mm
B	Width inner ring	42.85 mm
C	Width outer ring	22 mm
a	Shaft size	33 inch
Da	Centering diameter	97 mm
L	Overall length	127 mm
A	Distance from the housing flange to the front of the inner ring of the bearing	39 mm
A1	Width of the top of the housing	3.5 mm
J	Pitch circle diameter	127 mm
N	Diameter of attachment slot	13.5 mm
Fr	Radial load	7.7 kN
Fa	Axial load	3.8 kN
kg	Mass	1.62 kg
Cdyn	Dynamic load rating	32.5 kN
Co	Static load rating	20.4 kN

Sealing

RUBBER PLUG + T SEAL / T SEAL + RUBBER PLUG

3-lip seal seal on both sides provide long lasting protection of the bearing against the penetration of contaminants. Rubber plugs are protecting the area between the bearing and sheet metal housing.

