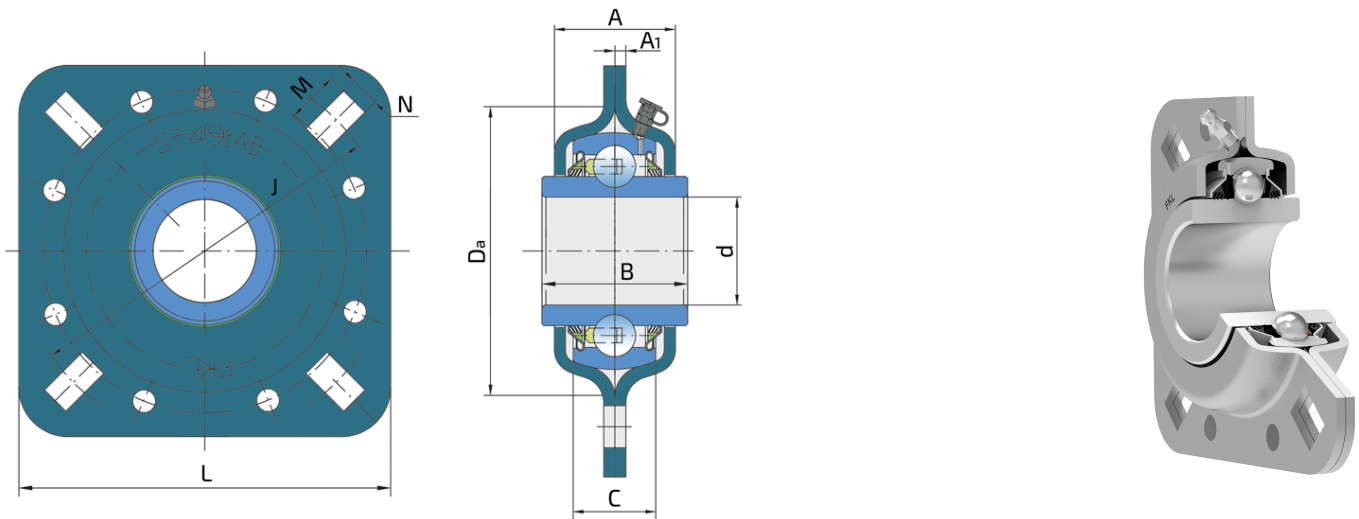


Square Series

GWST 209PPB38

Square Series
Disc Harrow



Technical Specification

d	Bore diameter	1.5004 inch
d	Bore diameter	38.11 mm
B	Width inner ring	42.85 mm
C	Width outer ring	22 mm
a	Shaft size	31 inch
Da	Centering diameter	97 mm
L	Overall length	127 mm
A	Distance from the housing flange to the front of the inner ring of the bearing	39 mm
A1	Width of the top of the housing	3.5 mm
J	Pitch circle diameter	127 mm
N	Diameter of attachment slot	13.5 mm
Fr	Radial load	7.7 kN
Fa	Axial load	3.8 kN
kg	Mass	1.63 kg
Cdyn	Dynamic load rating	32.5 kN
Co	Static load rating	20.4 kN

Sealing

T SEAL / T SEAL (2T)

3-lip seal on the both side of the bearing, provides equal protection against contamination. Recommended for application where the possibility of contamination is the same on the both side.

