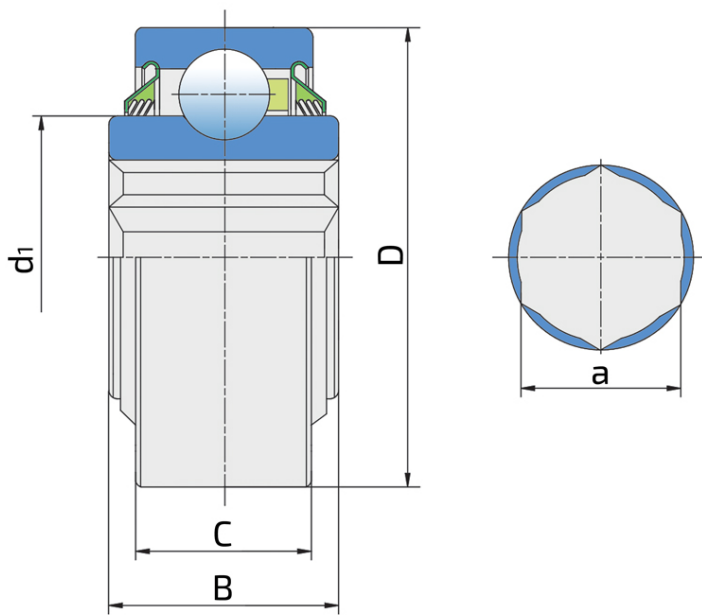
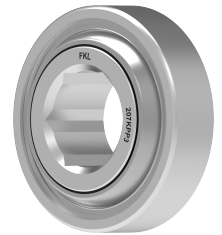


Hexagonal Bore Series With Cylindrical Outer Ring

207KPP3

Hexagonal Bore Series With Cylindrical Outer Ring



Technical Specification

D	Outside diameter	2.8346 inch
D	Outside diameter	72 mm
B	Width inner ring	1.484 inch
B	Width inner ring	37.7 mm
C	Width outer ring	0.669 inch
C	Width outer ring	17 mm
d1	Outer diameter inner ring	1.815 inch
d1	Outer diameter inner ring	46.1 mm
a	Shaft size	1 1/4 inch
a	Shaft size	31.78 mm
C _{dyn}	Dynamic load rating	25.5 kN
C _o	Static load rating	15.3 kN
kg	Mass	0.45 kg

Sealing

T SEAL / T SEAL (2T)

3-lip seal on the both side of the bearing, provides equal protection against contamination. Recommended for application where the possibility of contamination is the same on the both side.

