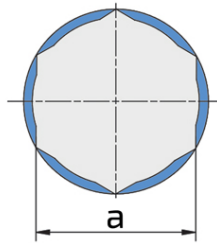
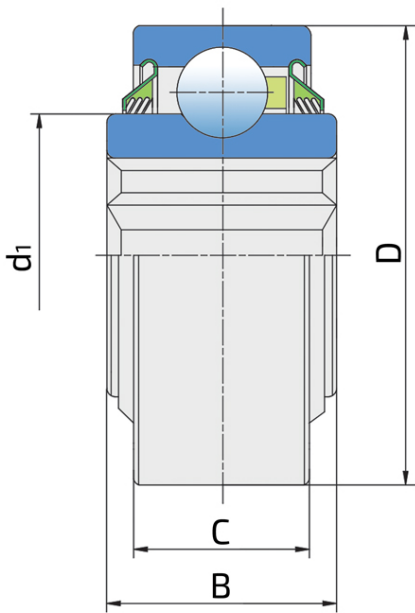
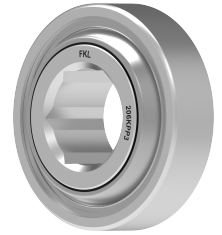


# Hexagonal Bore Series With Cylindrical Outer Ring

## 206KPP3

Hexagonal Bore Series With Cylindrical Outer Ring



### Technical Specification

D	Outside diameter	2.4409 inch
D	Outside diameter	62 mm
B	Width inner ring	0.945 inch
B	Width inner ring	24 mm
C	Width outer ring	0.63 inch
C	Width outer ring	16 mm
d1	Outer diameter inner ring	1.563 inch
d1	Outer diameter inner ring	39.7 mm
a	Shaft size	1 inch
a	Shaft size	25.43 mm
kg	Mass	0.4 kg
C <sub>dyn</sub>	Dynamic load rating	19.5 kN
C <sub>o</sub>	Static load rating	11.3 kN
P <sub>u</sub>	Fatigue load limit	0.475 kN

## Sealing

---

### T SEAL / T SEAL (2T)

3-lip seal on the both side of the bearing, provides equal protection against contamination. Recommended for application where the possibility of contamination is the same on the both side.

