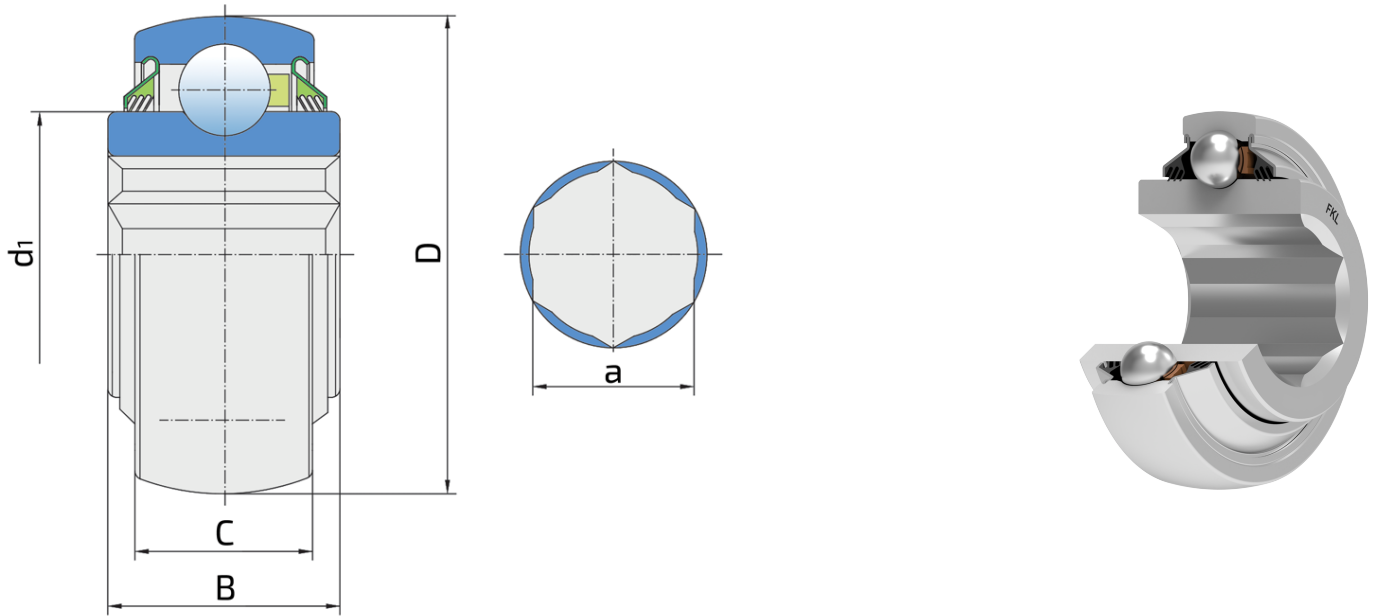


Hexagonal Bore Series With Spherical Outer Ring

205PPB13

Hexagonal Bore Series With Spherical Outer Ring



Technical Specification

D	Outside diameter	2.0472 inch
D	Outside diameter	52 mm
B	Width inner ring	1 inch
B	Width inner ring	25.4 mm
C	Width outer ring	0.591 inch
C	Width outer ring	15 mm
d1	Outer diameter inner ring	1.323 inch
d1	Outer diameter inner ring	33.6 mm
a	Shaft size	7/8 inch
a	Shaft size	22.25 mm
C _{dyn}	Dynamic load rating	14 kN
C _o	Static load rating	7.8 kN
kg	Mass	0.2 kg

Sealing

T SEAL / T SEAL (2T)

3-lip seal on the both side of the bearing, provides equal protection against contamination. Recommended for application where the possibility of contamination is the same on the both side.

