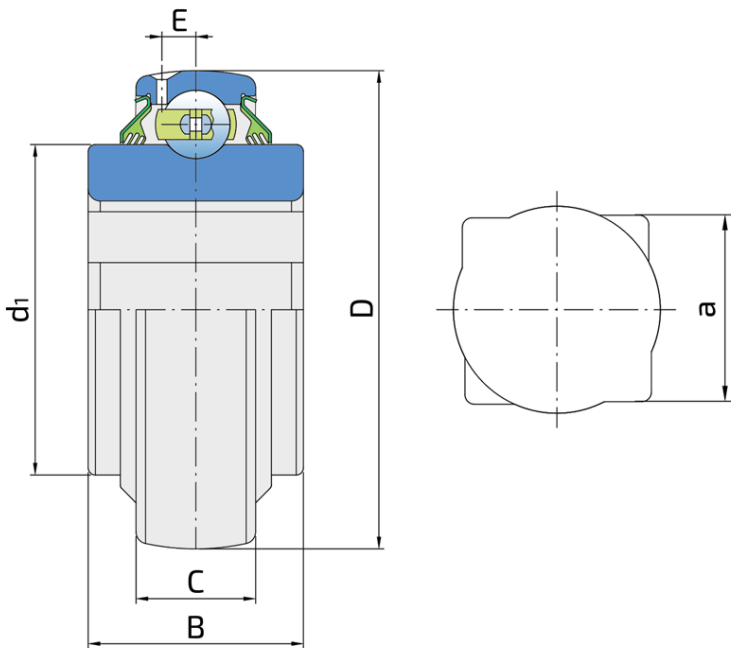


# Square Bore Series With Spherical Outer Ring - Relubricable Type

## GW 211PPBJ40

Square Bore Series With Spherical Outer Ring - Relubricable Type



### Technical Specification

D	Outside diameter	3.937 inch
D	Outside diameter	100 mm
B	Width inner ring	1.772 inch
B	Width inner ring	45 mm
C	Width outer ring	0.984 inch
C	Width outer ring	25 mm
$d_1$	Outer diameter inner ring	2.72 inch
$d_1$	Outer diameter inner ring	69.1 mm
E	Distance from raceway centre to the hole for lubrication	0.279 inch
E	Distance from raceway centre to the hole for lubrication	7.1 mm
a	Shaft size	1.59 inch
a	Shaft size	40.5 mm
$C_{dyn}$	Dynamic load rating	43.5 kN
$C_o$	Static load rating	29 kN
kg	Mass	0.99 kg

## Sealing

---

### T SEAL / T SEAL (2T)

3-lip seal on the both side of the bearing, provides equal protection against contamination. Recommended for application where the possibility of contamination is the same on the both side.

