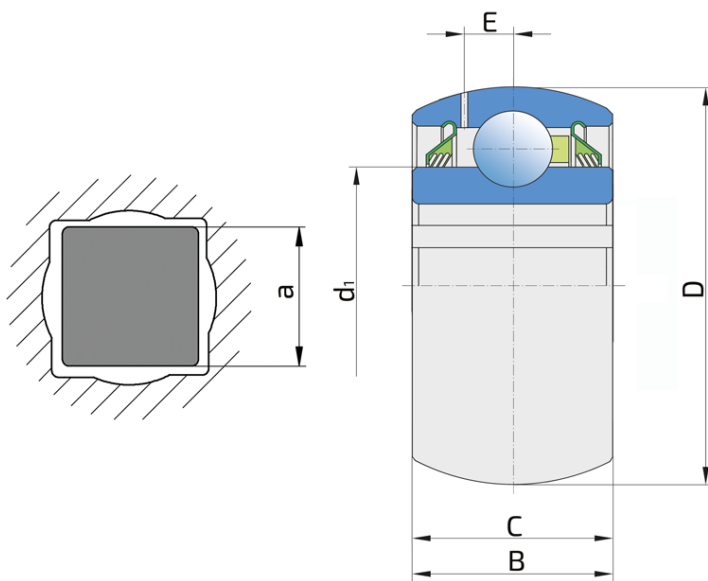


Square Bore Series With Spherical Outer Ring - Relubricable Type

GW 210PPB4

Square Bore Series With Spherical Outer Ring - Relubricable Type



Technical Specification

D	Outside diameter	3.5433 inch
D	Outside diameter	90 mm
B	Width inner ring	1.188 inch
B	Width inner ring	30.18 mm
C	Width outer ring	1.188 inch
C	Width outer ring	30.18 mm
d1	Outer diameter inner ring	2.461 inch
d1	Outer diameter inner ring	62.5 mm
E	Distance from raceway centre to the hole for lubrication	0.26 inch
E	Distance from raceway centre to the hole for lubrication	6.6 mm
a	Shaft size	1.18 inch
a	Shaft size	30 mm
C _{dyn}	Dynamic load rating	35 kN
C _o	Static load rating	23.2 kN
kg	Mass	0.794 kg

Sealing

T SEAL / T SEAL (2T)

3-lip seal on the both side of the bearing, provides equal protection against contamination. Recommended for application where the possibility of contamination is the same on the both side.

