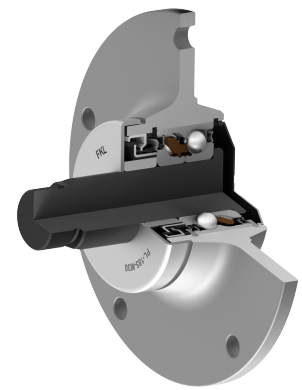
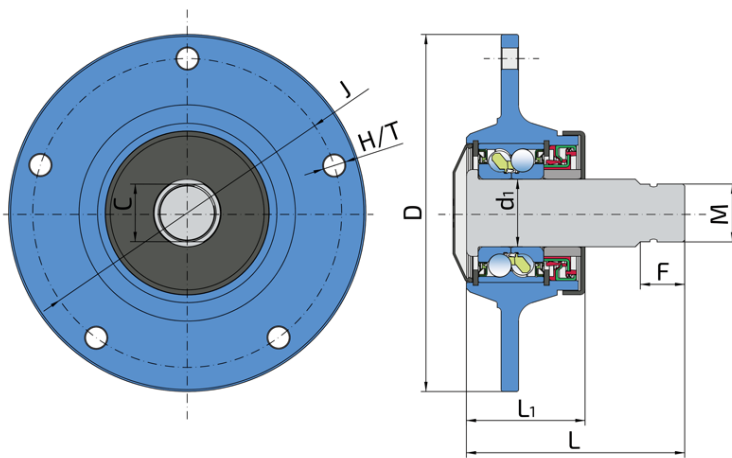


# Bearing Unit

## PL-185-M30-R

Bearing Unit  
Disc Harrow



### Technical Specification

D	Outside diameter	185 mm
d1	Bore diameter	35 mm
C	D-shape hole cut out dimension	30 mm
J	Pitch circle diameter	160 mm
H/T	Hole/Thread	12 mm
L	Total length	113 mm
L1	Total flange length	61.6 mm
F	Length of threaded part	23 mm
M	Outer Thread	M30x1.5-RH mm
kg	Mass	3.92 kg
Cdyn	Dynamic load rating	47.4 kN
Co	Static load rating	38.3 kN
Pu	Fatigue load limit	1.609 kN

## Sealing

---

### PLASTIC CAP + CASSETTE SEAL / CASSETTE SEAL + DIRTBLOCK SEAL + METAL SHIELD

Two part double lip wheel bearing seal on the both side. This sealing provides excellent protection from contamination and low friction.

Front side is totally sealed with a polypropylene shield which prevents all kind of contaminations.

The other side is additionally protected with dirtblock seal and with a metal protective cap. Dirtblock seal is designed for hard working condition, half metal &ndash; half rubber outside diameter provides reliable seal retention in the bore and improves sealing performance. Inside diameter is covered by rubber and improves sealing performance and easy installation. The metal protective cap protects the seal from mechanical damage and from entanglement of grass stems of plants and twines.

This sealing provides maximum protection against liquid or solid contaminants, which significantly extends bearing service life.

&nbsp;

