

TEST REPORT

Service Life Test of AGRO POINT HUB: IL60-120/4H-M20

1. Testing objective

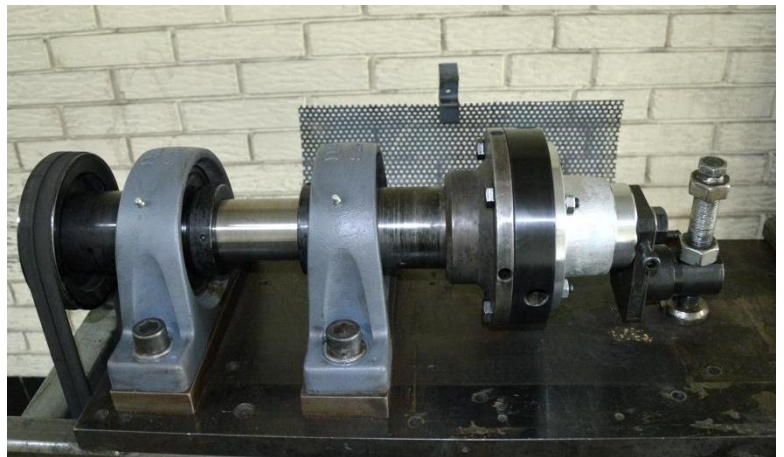
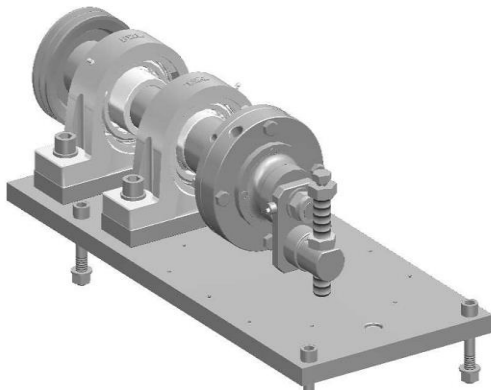
1.1 Checking the lifetime of the hub: IL60-120/4H-M20

2. Testing procedure

2.1 Accelerated test method:

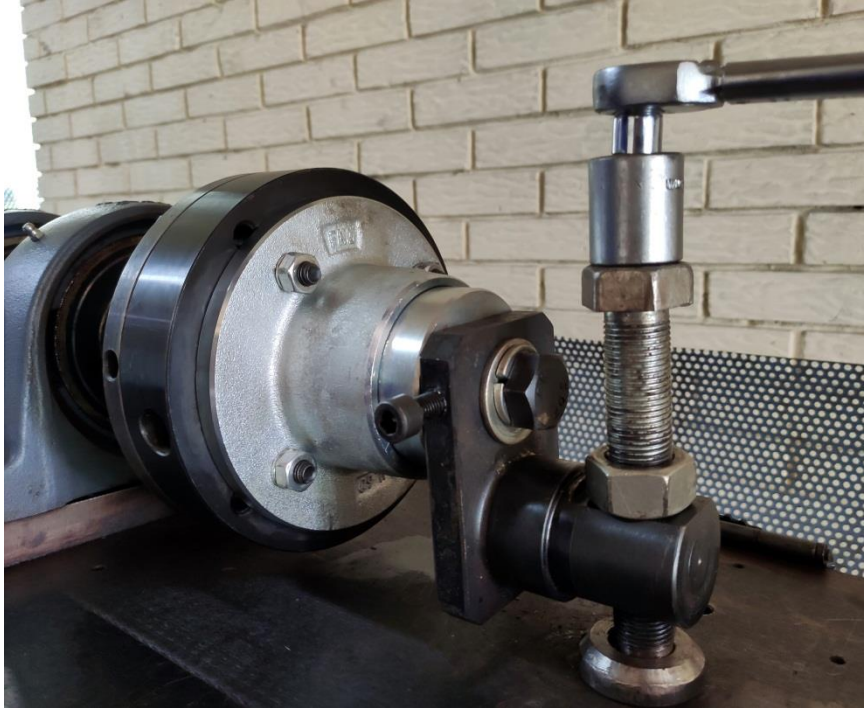
- Test force $F=10$ kN.
- Speed = 450 rpm.

2.2 Test Rig



2.3 Loading procedure:

1. When the test rig is off, tighten the radial load bolt to the specified torque 22Nm, using the Torque wrench.
2. Turn on the Test rig.
3. As the hub rotates, complete the tightening of the bolt to the specified torque of 22Nm.



2.4 Torque Wrench:

- Torque range 10-50Nm.
- Adjustable in 0.5Nm steps.



3. Test results

3.1 IL60-120/4H-M20

Start of testing: 5573 (hours on working time counter)

End of testing: 6479 (hours on working time counter)

Lifetime of the hub: $6479 - 5573 = 906$ hours



Damage on the inner ring

3.2 Parameters for real hub life calculation:

- Working force 3 kN,
- Tractor speed 15 km/h,
- Disc diameter 560 mm,
- Harrow width: 4 meters,
- Bearing speed: 142 rpm.

3.3 Calculated hub life in hectares = 425.000 ha

Testing engineer

Laslo Koman dipl.ing.

Head of laboratory

Milivoje Mijušković dipl.ing.