



Providing the Best Solutions

## Facts and Figures



Experience in Bearing Production



€ 23,8 M Turnover



400+ Employees



260 OEMs



1200+ Products

## Why to work with FKL?

- Top quality at affordable prices
- European origin
- Permanent development of new products
- Wide range of agricultural bearings
- Customer tailored solutions
- Flexibility in production
- Technical and logistics support

## FACTORY OF ROLLING BEARINGS AND CARDAN SHAFTS

Železnička 1g  
21235 Temerin  
SERBIA

Sales Director +381 21 6841 222  
Head of Sales +381 21 6841 190

Foreign Markets +381 21 6841 205  
+381 21 6841 188  
Domestic Market +381 21 6841 187

Marketing +381 21 6841 201

sales@fkl-serbia.com  
marketing@fkl-serbia.com



[www.fkl-serbia.com](http://www.fkl-serbia.com)



**PROVIDING THE BEST SOLUTIONS**



## PRODUCTION PROGRAM

### AGRO POINT HUBS:

- IL20
- IL20S
- IL25
- IL30
- IL35
- IL40
- IL50
- IL50S
- IL60
- IL70

### Special production program for application in agriculture:

- Disc Harrows
- Seeding Machines
- Packer Rollers
- Packer Ballers
- Mowers
- Harvesters
- Universal Solutions

### Standard production program:

- Insert ("Y") Ball Bearings
- Housings
- Bearing Units

## TOP SELLING ITEMS



IL25-80/6T-M16-T



IL50-98/4T-M22



IL50-98/4T-B30-J



BDM ARMOR 2.0



LEFG 208 TDT



LSQFR 308 TQT.H.T



LSQFH 210 2PB.H



PL-185-M30-R+M30x1.5-RH (LH)



PL-127-G



SL 5203.B-2T

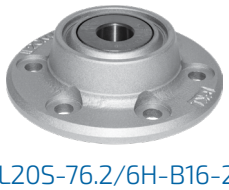


SL 5205 2D



06C04-TS

## NEWLY DEVELOPED ITEMS



IL20S-76.2/6H-B16-2D



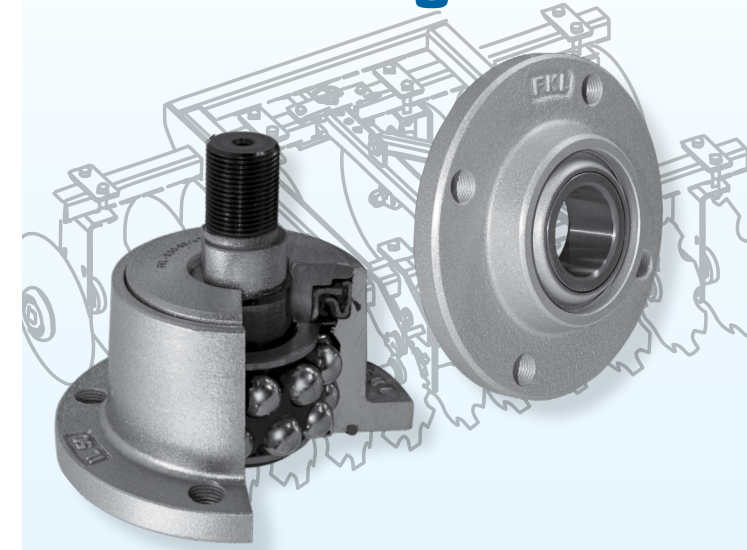
IL50B-120/5T-M30x2



IL50V-110/5T-109/2H



## FKL AGRO POINT HUB Advantages



- Perfect sealing
- High load rating
- Integrated flange made from forging
- Corrosion protected flange surface
- Extended product reliability and longer service life
- Increased farm productivity
- Maintenance free product
- Easy mounting and hub replacement



# FKL DISTRIBUTORS

(in alphabetical order by country)

APPLIED INDUSTRIAL TECHNOLOGIES PTY LTD www.appliedau.com.au	Australia	SRL ROMANCIUC ROMA SI CO romanciuci@mail.ru	Moldova
JUSEL DOO www.jusel.com	Bosnia and Herzegovina	DB-RAZVITAK www.dbrazvitak.me	Montenegro
VULIN DOO vulindoo@yahoo.com	Bosnia and Herzegovina	ABD GROUP www.abdgroup.co.nz	New Zealand
EKOAL OOD www.ekoalbg.com	Bulgaria	TEMKO DOO goran.temko@gmail.com	North Macedonia
TIVI GROUP INDUSTRY LTD www.tivigroup.com	Bulgaria	PO BEARINGS S.R.O. www.lozicka-bearings.sk	Slovakia
PNS TECH www.pnstech.ca	Canada	TEMO PARTS www.temoparts.co.za	South Africa
COMERCIAL RODAPLUS SPA comercialrodaplus@gmail.com	Chile	HABIB DJAROUH LTD www.djaroueh-group.com	Syria/Lebanon/UAE/Saudi Arabia
SE-KRA DOO www.se-kra.hr	Croatia	SISA OTOMOTIV DIS TICARET LTD sisa.dis.tic@superonline.com	Turkey/Iraq
AS MODUATOR www.moduator.ee	Estonia	WEARPARTS TILLAGE TOOLS www.wearpartslc.com	USA
FINNBEARING OY www.finnbearing.fi	Finland	AGROL DOO www.agrol.rs	Serbia
AGRIPARTNER - GANAYE SARL www.agripartner.fr	France	AGROMARKET DOO www.agromarket021.com	Serbia
SFERODYNAMIKI PC www.sfaio.gr	Greece	DB-RAZVITAK DOO www.dbrazvitak.rs	Serbia
MET EUROPA SRL www.meteuropa.com	Italy	JUSEL DOO www.jusel.com	Serbia
LAUDORTS SIA www.laudorts.lv	Latvia	MIKRON DOO www.mikron-doo.rs	Serbia
UAB IGNERA www.ignera.lt	Lithuania	NEPTUN DOO www.neptundoo.rs	Serbia
ELIT-TEHNICA SRL www.elit-tehnica.md	Moldova	TENEJ DOO www.tenej.com	Serbia

